

Canadian Marksman

Volume V Number 1&2
Summer2014/Winter 2015

Journal of the
Dominion of Canada Rifle Association



Liliane M. Stewart
1928 - 2014

2015 Eastern Canada Regional F-Class Championships

Hosted by
The Dominion of Canada Rifle Association

July 10-12th, 2015

Connaught Ranges
Home of the 2017 F-Class World Championships

Ottawa, Ontario



www.easternfclass.ca



SUMMER 2014/WINTER 2015

*******IN THIS ISSUE**

REGULAR ITEMS

Membership Fees	2
AGM Dates	3
Council Nomination Form	4
DCRA Executive & Council	10
Life Governors	9
Match Director/Secretary Report	12
Message from Vice-President	6
In Memoriam	32
PRA Reports	67
AGM Minutes 2014	59
SAGM 2014	64
PRA Contacts	88

FEATURE ARTICLES

Mrs. Liliane M. Stewart	6
Canadian Rifle Team Bisley 2015	38
Major Colin Brown Trophy	14
2014 Induction-Hall of Fame	66
Legion of Honour	38
Adventures to the Far Side	78
2018 Commonwealth Games	82
PRA Events	83
150th Anniversary Stamp	87

REPORTS

National Service Conditions 2014	25
International Teams	39
Commonwealth Games 2014	41
Canadian Rifle Team Bisley 2014	42
Palma Team Update 2015	44
PRA Sierra Reports	45
National Black Powder 2014	18
Program Chair 2015 Outlook	75
2015 NSCC Schedule	77
Marksman Delay	82

MATCH RESULTS

Governor General's Final	23
Canadian Target Rifle Top 50	24
132nd DCRA Canadian Target Rifle Championships	20
Interprovincial Team Matches	22
International Team Matches	22
Cadets, Juniors & Under 25	22
Macdonald Stewart Grand Aggregate	22
3rd F-Class National Championships	16
Canadian Black Powder Championships	19
Postal Program Results	58
National Service Conditions Championships	25

UPCOMING EVENTS

Canadian Target Rifle Championships August 12-22, 2015
 National Service Conditions Championship, August 27 - September 4, 2015
 2017 Commonwealth Games Team Fullbore Shooting Trials August 28, 2016
 DCRA hosts F-Class World Championships August 9-18, 2017

REGISTRATION

CFRC, FCNC, BP, NSCC Entry Forms - pg 47, or on www.dkra.ca

DCRA APPROVED MEMBERSHIP FEES - 2015

Membership year 1st April 2015 - 31st March 2016

Life	Sliding scale	Meeting :	
Under 25 Term	\$ 265.00	Non-Canadian	\$ 55.00
Annual	\$ 130.00	Postal	\$ 20.00
Under 25 Annual	\$ 90.00	Pavilion Club (GBP)	£ 15.00
Associate (Note 1)	\$ 55.00		
Limited Associate (Note 2)	\$ 30.00		

DCRA LIFE MEMBERSHIP FEES (SENIOR)

Age	Rate	Age	Rate
25-30	x30 annual rate	53-54	x18 annual rate
31-32	x29 annual rate	55-56	x17 annual rate
33-34	x28 annual rate	57	x16 annual rate
35-36	x27 annual rate	58	x15 annual rate
37-38	x26 annual rate	59	x14 annual rate
39-40	x25 annual rate	60	x13 annual rate
41-42	x24 annual rate	61	x12 annual rate
43-44	x23 annual rate	62	x11 annual rate
45-46	x22 annual rate	63	x10 annual rate
47-48	x21 annual rate	64	x 9 annual rate
49-50	x20 annual rate	65 and over	x 8 annual rate
51-52	x19 annual rate		

Age calculated as of 1 April

Note 1 - This rate is for members competing in BP or FCNC matches only (not full entry in the Canadian Championships OR for members who do not compete but wish to support the DCRA. Both will receive two issues of the Canadian Marksman.

Note 2 - Includes insurance but does not include the Canadian Marksman.

DOMINION OF CANADA RIFLE ASSOCIATION

UNDER 25 BURSARY APPLICATION

(available at www.dkra.ca)

OR Contact

DCRA

45 SHIRLEY BLVD

NEPEAN, ON

K2K 2W6

PHONE: (613) 829-8281

FAX: (613) 829-0099

E-MAIL: office@dkra.ca

Deadline is 3 June 2015

The Canadian Marksman

Volume 5

Number 1&2

Summer 2014/Winter 2015

DCRA, 45 Shirley Blvd,
Nepean, ON K2K 2W6

Material for publication, preferably
via
e-mail is welcomed and should be
sent to

The Dominion of Canada Rifle
Association

45 Shirley Blvd

Nepean, ON K2K 2W6

Tel: (613) 829-8281

Fax: (613) 829-0099

E-mail: office@dkra.ca

<http://www.dkra.ca>

Only articles appearing by authority of the
DCRA shall be regarded as official; all other
articles, views, and comments are solely those
of the authors, and the DCRA accepts no
responsibility for the validity of anything that
may be expressed in them.

For advertising rates please
contact DCRA.
Please supply ads in word.doc

format

Subscription: \$35 / year

Editing & Production

Scott Bissett

Kathy Corcoran

Advertising

LCol (Ret'd) Wm. Molnar

Publication Mailing Agreement
#40009311

Return undeliverable

Canadian addresses to:

Circulation Dept.

45 Shirley Blvd

Nepean, ON K2K 2W6

On the Cover:

Mrs. L. Stewart

By Bill Molnar

Nominations for DCRA Council

The DCRA Annual General Meeting

Schedule of Events - 27-29 MARCH, 2015

27 Mar DCRA/PRA Workshop - 1330 hours

28 Mar Outgoing Council Meeting at discretion of President
0930 hours

28 Mar Annual General Meeting - 1000 hours

28 Mar Annual Dinner (time and location to be determined)

29 Mar Incoming Council Meeting - 0930 hours

29 Mar New Executive Committee Meeting,
following Council Meeting

Location: Connaught Range, Bldg 23, Conference Room

Dinner Saturday

Saturday evening will feature the traditional blazer and tie dinner at a local restaurant. Please let the DCRA office know if you plan on attending the dinner so reservations can be made.

Annual General Meeting - Agenda

1. Opening Remarks by the President
2. Statutory Declaration of Notice of Annual General Meeting
3. Approval of Agenda
4. Adoption of Minutes of the DCRA AGM, 29 March, 2014
5. Annual Report
6. Reports from Provincial Rifle Associations
7. Committee Reports
8. Vote of Thanks
9. Adoption of Financial Statement and Reports
10. Approval of Budget for 2014-2015
11. Approval of Actions of Council and Executive in FY 2013-2014
12. Report of the Nominating Committee
13. Date of next Annual General Meeting
14. New Business
15. Adjournment

Costs

Registration \$ 15.00

In this issue of the Marksman you will find the call for nominations for the DCRA Council. In addition to positions filled by appointees from the Provincial Rifle Associations, ten places at-large are available for full members of the DCRA, with those elected serving a two-year term. If there are more than ten nominations, an election will be held by mail. Council members whose term is expiring are eligible for re-nomination and re-election.

The Nominating Committee strongly encourages all those with an interest in the affairs of the DCRA to consider making nominations and/or standing for Council. It is through the Council that the members can influence the policy and direct the future course of the Association.

It is also from the Council that the members of the Executive Committee will be drawn. The By-Laws require that voting members of the Executive must be members of Council. This adds additional importance to the nominations about to be made.

We urge members to take a serious interest in the nomination process. Those with dedication and commitment to the DCRA are warmly encouraged to offer their names for election. Only full (not Associate) members of the Dominion of Canada Rifle Association are eligible for nomination and election to Council.



REGISTRATION FORM

RSVP

Name: _____

I * will * will not attend the PRA/DCRA workshop. Province: _____

I * will * will not attend the AGM. Registration fee is \$15.00

I will arrive on _____ at _____ hrs I will depart on _____ at _____ hrs

Means of Transportation _____

* I require quarters (if available) on the range for the following nights: _____

* I do not require quarters

* I will attend the annual dinner on Saturday.

* I will not attend the annual dinner on Saturday.

**TO: ALL VOTING MEMBERS OF THE DCRA
NOMINATIONS FOR 2015 COUNCIL**

This official notice solicits your nominations for 10 new members to replace those elected in March 2013.

The list of names in bold font indicates the members of Council who were elected in 2013 for a two-year term until 2015 and who require replacement. These individuals may be nominated for re-election if available and willing to stand. The list also contains the names of those who were elected in 2014 for service until March 2016.

All PRAs are asked to also submit the names of their Designated Council Members for 2014/15 so that we can avoid nomination conflicts with the elected list.

Nominations must be forwarded to the office at your earliest convenience.

Keith Bornn
Secretary-Treasurer

**COUNCIL MEMBERS AT LARGE
ELECTED BY THE GENERAL MEMBERSHIP**

Elected by acclamation in 2013, term of office expires April 2015

Mr. Aaron Daley,	Ontario
Mr. Scott McGinnis,	Ontario
Mr. Marc Landreville,	Ontario
Mr. Roger Romses,	Ontario
Mr. Justin Hearn,	NL
Mr. Scott Bissett,	Ontario
Mr. Sean Gagnon,	Ontario
Mr. Barry Price,	Ontario
Mr. Steven Spinney,	Ontario
Mr. Bob Raymond,	Ontario

Elected by acclamation in 2014, term of office expires April 2016

Mr Gary Bowman	Ontario
Mr Steve Hunt	Ontario
Mr John Chapman	Manitoba
Mr Peter Dobell	British Columbia
Mr Chris Jones	Ontario
Mr Alain Marion	Quebec
Mr Raymond Smeltzer	Ontario
Mr Pat Vamplew	Ontario
Mr Steven Stewart	New Brunswick
Mr Peter Westlake	Ontario

NOMINATIONS FOR DCRA COUNCIL 2015 (Form may be copied or facsimile submitted)

The undersigned members of the DCRA hereby nominate _____
for election to the DCRA Council at the Annual General Meeting to be held on Saturday March 28, 2015

Proposer: _____ Signed: _____

Seconder _____ Signed: _____

I accept this nomination to serve on the DCRA Council if elected: Signed: _____

To serve on the DCRA Council, if elected, the individual's membership must be renewed and in good standing. Biographical information is to be supplied by the **nominee** in the space below. This and only this information provided will be included in the ballot for the vote.

Life, Full and Under 25 members only are eligible to nominate and vote.

All eligibility will be checked by the DCRA office.

Please return this form to the DCRA, 45 Shirley Blvd, Nepean, ON K2K 2W6 or
Fax (613) 829-0099 Attention: Chairman of the Nominating Committee.

MRS. LILIANE M. STEWART



The 2014 Canadian Fullbore Rifle Championships were dedicated to the memory of Mrs Liliane Stewart, for many years Patron of the CFRC, who passed away on 3 May 2014.

On Saturday, May 3rd we were saddened to receive news from Bruce Bolton on the passing of Mrs. Liliane Stewart, who passed away peacefully at the Montreal General Hospital with Bruce and other close friends by her bedside. Mrs. Stewart was a Life Governor of the DCRA, Honorary Commandant of the Bisley Team and, with late husband David, an enthusiastic supporter of full-bore target rifle shooting in Canada.

The funeral was held on Tuesday, May 13th at the historic Notre-Dame Basilica in downtown Montreal. The DCRA was strongly represented with over 25 DCRA friends of Mrs. Stewart in attendance, smartly standing out in their full #1 dress that included Bisley blazer and tie. Members came from as far away as Calgary (DCRA President BGen (Ret'd) Ray Romses) and Winnipeg (Doran and Don Sewell) to pay their respects. The DCRA was also asked to provide three representatives to participate in the funeral party along with members of the three regiments Mrs. Stewart and the Macdonald Stewart Foundation have supported throughout the years; the Queen's York Rangers, Compagnies Franches de la Marine and the 78th Fraser Highlanders.

Mrs. Stewart was one of a kind, a serious, no-nonsense individual who was passionate in her support of the Foundation's charities and the people involved with them. Whenever she joined the Canadian Team in Bisley she made a point of getting to know every new member and would continue old friendships with returning members. Mrs. Stewart hated to lose and would let team members know, she was a true lady but was also the ultimate hockey mom, a close friend to all and a protector of the group, always looking out for everyone. She will be missed along with other beloved DCRA members and friends who have passed away this year.

EXECUTIVE VICE PRESIDENT'S REPORT

This report covers almost a full calendar year, the last one presented in the 2014 Spring edition of the Marksman. I must begin by apologising to you, the membership, for the delay you have experienced in receiving your next copy of the Marksman. Due to necessary staffing reductions made in the autumn, and because of unexpected computer issues, the Fall edition was delayed to the point where it was felt to be as efficient as possible that we hold off an additional period of time and include the necessary details for 2015 in the next issue. We expect to be back to our regular publication schedule for the Fall, in the meantime please enjoy this issue as it includes reports from 2014's activities and this upcoming season.

As an activity based sports organization, Fullbore activities across the country at both the PRA and National level continued to flourish in 2014 along with the usual International competitions we support Teams to attend around the world.

The office staff worked at full throttle throughout the year in order to organize and run our four National Championships at Connaught throughout August and September and provided much needed logistical support to Canadian Teams that competed out of country. I would like to thank Keith Bornn, our Secretary Treasurer and staff members Kathy Corcoran and Linda Barker for their leadership and energy along with all the support staff and dedicated Committee members who assisted in making 2014's DCRA summer program a success. Unfortunately, Keith with all of his experience and knowledge will be leaving us this year to enjoy further retirement in the Maritimes, we wish him well and luckily he'll only be an e-mail away when

needed. I would also like to thank Linda Barker for the support she provided to us during her time with the DCRA before leaving in November.

Not to take away from some of the Program reports noted in this issue but I'd like to acknowledge some of the positive hi-lites and feedback noted this summer; Chris Jones again received positive comments from visiting shooters on the conduct of the Black Powder (CBPC) matches. On the F Class front Matt Wolfe and Scott Bissett estimated entries at the 2014 CFCC matches would more than double over the previous year and members were good to their word as close to 75 competitors enjoyed a four day program that finished on the last day with a 6 point win by Team USA over Canada in the America Match. With the 2017 F Class ICFRA World Championships fast approaching entries for next year's matches are estimated to be even higher especially with a team confirmed from the UK. This is fantastic news and is attributed to the strong commitment shown by those within the F Class community. This past year the CFRC matches included a change in the squadding format by moving from a pairs to three to a target format for most of the matches. This was done in order to maintain the current entry fee structure and in general was well received by competitors. Unfortunately, due to cut-backs, the Cadet Bisley Team (NRT) did not compete at the CFRC for the first time in over 90 years. We hope to see them back in 2016 or 2017. The TR America Match completed the CFRC program on the final Sunday with teams from USA, Great Britain, Japan and Canada competing. The scores achieved were exceptional, especially at the longer ranges, which is a good indicator to the high level of scores we should antici-

pate at next year's Palma World Long Range Championships. Keith Cunningham reported there were many positive comments from competitors attending the NSCC competitions. The matches ran smoothly thanks to the support provided by Range Officers John Todd and Luc Joly and the many volunteers who pitched in. We would like to thank our NSCC corporate sponsors who generously provided awards including Colt, who supplied an AR 20 rifle and Glock with a pistol. Congratulations are also extended to Cpl. Ryan Steacy from BC for being honoured at the final presentations as the newest member of the DCRA SR Hall of Fame and for his incredible performance throughout the SR competitions winning the Grand Aggregate by 40 points. Our support in the running of this year's CAFSAC matches was appreciated by Match Director, LCol Don Haisell. This is very positive feedback that continues to reinforce our goals and mandate of supporting the Canadian Forces. Staff member Kathy Corcoran led our support team, providing guidance where required to help make the competitions a success.

On the International competition front, in preparation for next year's Palma Fullbore World Championships, Team Captain Peter Westlake and Adjutant Gary Bowman led a scouting team to Camp Perry, Ohio in early August to compete at the US National Championship matches to get a feel for the surroundings on and off the range. We wish the Senior, Veterans and U25 Teams all the best at the upcoming ICFRA Palma World Championships. We had hoped to also send a U21 Team but to date are not committed to a full team. If you are interested, please contact U25 Team Captain Alix Voorthuyzen or the DCRA office. In Bisley, Commandant BGen Romses,

EXECUTIVE VICE PRESIDENT'S REPORT

Vice-Captain John Chapman and Adjutant Murray Sloane reported their full team enjoyed strong camaraderie. It should be noted this was the last year Julia and Gary Evans hosted the team at the Pavilion, their hospitality and support over the years has always been appreciated and we wish them all the best moving forward. We look forward to working with new manager Theresa Barbato, who has worked at the Pavilion in July for many years. Numerous accomplishments were achieved in Bisley by F Class members with Ken Ferguson, Gerry Wiens, Wendy Reid and Andy Webber winning matches and Andy placing second in both the Grand Aggregate and Queen's Final. TR members also achieved high scores throughout the Grand Aggregate. Five team members competed in the St. Georges Final and three in the Queen's Final with Bruce MacDonald of Winnipeg making it into both of the Finals, well done Bruce. Jim Paton used the Bisley meeting as an opportunity to prepare himself for the Commonwealth Games in Glasgow by achieving exceptional results. He placed 6th in the Grand Aggregate, 25th in the St. Georges Final and 5th in the Queen's Final and finished it off by winning the British Open Target Rifle Championship, which includes scores from the Grand Aggregate and the second and third stages of the Queen's. From there Jim traveled up to Scotland with a bulk of the competitors who would be competing in the Commonwealth Games at Barry Buddon range near Dundee, which is situated beside historic Carnoustie Golf Course that will be hosting the British Open in 2018. Jim met up with team member Des Vamplew, who had already been training at Barry Buddon for a week under the guidance of Coach Pat Vamplew. After additional practice together

Jim and Des came away with a Silver medal in the two day Fullbore Pairs event and then Jim continued on to win the Silver medal in the Individual Fullbore event. These were very proud moments for Canada.

I would like to extend my appreciation to Connaught Base Commander LCol Don Hind and Camp Sergeant Major CWO Chuck Courtemanche for their support, who worked with Keith Bornn in providing quarters for staff and competitors during this summer's competitions. Apologies are extended to those members who ultimately did not attend the matches this year due to ongoing accommodation questions in June and July but Base staff were able to come through, they stepped up and supported us and we appreciate their commitment to the DCRA. Connaught camp will be experiencing a housing transition period as the older temporary barracks will begin to be replaced with newer facilities that members will be able to enjoy when the work has been completed. We'll continue to work with Base staff during this period to assure appropriate arrangements are made this coming year in case final construction is not completed by August. As we move closer to the summer please refer to the DCRA website or contact the office for housing updates.

For the events we'll be hosting at Connaught, committees have been struck and have begun the planning phase for both the 2017 ICFRA F Class World Championships and the DCRA's 2018 Sesquicentennial 150th Anniversary matches that will also include hosting a Black Powder World Championship. Those dates are not that far away.

On the communications front many of our interactive elements on the website have been moved to Facebook where

they have an opportunity to get more exposure and a dedicated Facebook page has been created for the F Class community.

The next two Bisley teams provide a lot of leadership experience. Congratulations are extended to Dr. Jim Thompson, Commandant of this year's team and Anna Paton who will be supporting Jim as the team Adjutant. They report a full team that includes experience and youth. Steven Spinney has accepted the Commandant's position for 2016, supported by Pat Vamplew as team Adjutant.

I would like to thank Bob Pitcairn and Stefan Isaacs for initiating the National Electronic Training Program (NETP) a few years ago. Now that interest in the program has been established they have asked to pass the program over to the National Training Program run by Dave Adams and Laurie Hearn, who are pleased to announce that Steve Hunt who is a very experienced junior level coach will be assisting them on the E Training front. If you are working with younger shooters or wish to improve your own training schedule and would like some guidance I highly recommend you contact Dave, Laurie or Steve. They have a world of experience available to help improve your performance.

On Saturday, May 3rd we were saddened to receive news from Bruce Bolton on the passing of Mrs. Liliane Stewart, who passed away peacefully at the Montreal General Hospital with Bruce and other close friends by her bedside. Mrs. Stewart was a Life Governor of the DCRA, Honorary Commandant of the Bisley Team and, with late husband David, an enthusiastic supporter of Fullbore target rifle shooting in Canada. The funeral was held on Tuesday, May 13th at the historic

EXECUTIVE VICE PRESIDENT'S REPORT

Notre-Dame Basilica in downtown Montreal. The DCRA was well represented with over twenty-five DCRA friends of Mrs. Stewart in attendance, smartly standing out in their #1 dress that included Bisley blazer and tie. Members came from as far away as Calgary (DCRA President BGen Romses) and Winnipeg (Doran and Don Sewell) to pay their respects. The DCRA was also asked to provide three representatives to participate in the funeral party along with members of the three regiments Mrs. Stewart and the MacDonald Stewart Founda-

tion have supported throughout the years; the Queen's York Rangers, Compagnies Franches de la Marine and the 78th Fraser Highlanders. Mrs. Stewart was one of a kind, a very serious no nonsense individual who was very passionate in her support of the Foundations charities and the people involved with them. Whenever she joined the Canadian Team in Bisley she always made a point of getting to know every new member and would just continue old friendships with returning members. Mrs. Stewart hated to lose and would let team members

know, she was a true lady but was also the ultimate hockey mom, a close friend to all and protector of the group, always looking out for everyone. She will be missed along with other beloved DCRA members and friends who have passed away this year.

Congratulations on your shooting activities this past year as we look forward to the upcoming season and all the excitement it can bring with it.

Des Vamplew



Made in Canada

ELECTRONIC TARGET SYSTEMS FOR FULLBORE



Silver Mountain Targets Australasia Ltd.
John Hastie
j.hastie@xtra.co.nz



Stallings Machine
Wayne Forshee
www.stallingsmachine.co



Silver Mountain Targets Europe
Peter Hahn
peter@caw-westphal.de



Silver Mountain Targets
Daniel Chisholm
dmc@danielchisholm.com

www.silvermountaintargets.com



THE DOMINION OF CANADA RIFLE ASSOCIATION L'ASSOCIATION DE TIR DOMINION DU CANADA

PATRONS, LIFE GOVERNORS, COUNCIL, and EXECUTIVE COMMITTEE 2014/2015

The following individuals serve for the duration of their tenure in office, when an honorary appointment is accepted by the incumbent:

PATRON

His Excellency, The Governor General of Canada

VICE PATRONS

The Prime Minister of Canada
Lieutenants Governor of each Province of Canada
Premiers of each Province of Canada

HONOURARY PRESIDENT

The Minister of National Defence

HONORARY VICE PRESIDENTS

Chief of the Defence Staff
Commander of the Royal Canadian Navy
Commander of the Canadian Army
Commander of the Royal Canadian Air Force
Commissioner of the Royal Canadian Mounted Police
Commissioner of the Ontario Provincial Police
Directeur de Sûreté de Québec
City of Ottawa Chief of Police
President, Army Cadet League of Canada

Gen TJ Lawson CMM, CD
VAdml MAG Norman CMM, CD
LGen M Hainse CMM, MSC, CD
LGen YJ Blondin CMM, CD
Commissioner Bob Paulson
Commissioner Chris D. Lewis
Director General Mario Laprise
Chief Charles Bordeleau
Wayne Foster

LIFE GOVERNORS

(in order of seniority)

Major (Ret'd) C. M. Brown, CD	Mr. S.J. Bissonnette
Major General (Ret'd) H.C. Pitts, MC, CD	Mr. S.E Frost
Major (Ret'd) D.W. Rumbold, CD	Major General (Ret'd) E.S. Fitch, OMM, MSM, CD
Mr. R. A. Pitcairn	Lieutenant General (Ret'd) C.H. Belzile, C.M., C.O.M., C.D.
Dr. J.C. Thompson	Dr. J. Tetlow
General (Ret'd) A.J G.D.de Chastelain, CH, CMM, OC, CD	Mr. K. Westling
Mr. A.G. Peden	Mr. P. Reibin
Mr. L. D'Amour	Major General (Ret'd) T.F. de Faye, C.M.M., C.D., SBStJ
General (Ret'd) J. M. G. Baril, CMM, MSM, CD	Dr. R. Mullin
Lieutenant Colonel (Ret'd) T. J. Kaulbach, OMM, CD	Mr. J. Dugas
Lieutenant Colonel (Ret'd) W.J. Molnar, CD	

DOMINION OF CANADA RIFLE ASSOCIATION

ACTIVE OFFICERS

President/Chairman of Council	BGen (Ret'd) Ray Romses		
Executive Vice-President	Des Vamplew	Chair of Shooting Committee	Serge Bissonnette
Deputy Chairman of Council	Jim Thompson	Chair of Administration Committee	Bill Molnar
Comptroller	Jim Thompson	Chair of Shooting Support Committee	Peter Westlake
Secretary-Treasurer/Match Director	Keith Bornn	Past Secretary-Treasurer	Aaron Daley
Past Executive V.P.	Stan Frost		

PROVINCIALY APPOINTED VICE-PRESIDENTS

British Columbia	P. Dobell	Quebec	R. Fortier
Alberta	F. Lalear	Nova Scotia	A. Webber
Saskatchewan	K. Skjerdal	New Brunswick	M. Lutes
Manitoba	M. Sloane	PEI	C. Bachmanek
Ontario	A. Praysner	Newfoundland/Labrador	G. Woodman

PRA DESIGNATED MEMBERS OF COUNCIL

British Columbia	B. Mylleville	Quebec	G. Lacroix
Alberta	A. Tikkanen	New Brunswick	D. Chisholm
Saskatchewan	S.E. Frost	PEI	I. Hogg
Manitoba	L. Poulin	Nova Scotia	J. Marshall
Ontario	E.G. Vamplew	Newfoundland/Labrador	G. Woodman

COUNCIL MEMBERS AT LARGE - ELECTED BY GENERAL MEMBERSHIP

Gary Bowman	Chris Jones	John Chapman	Peter Dobell
Steve Hunt	Peter Westlake	Alain Marion	Steven Stewart
Patrick Vamplew	Raymond Smeltzer		

ELECTED IN 2013 WITH TERM EXPIRING IN 2015

Aaron Daley	Roger Romses	Sean Gagnon	Steven Spinney	Scott McGinnis
Justin Hearn	Barry Price	Bob Raymond	Marc Landreville	Scott Bissett

NOMINATING COMMITTEE

Peter Westlake
Steven Spinney
Pat Vamplew

PLUS 2 ADDITIONAL:
Daniel Chisholm
John Chapman

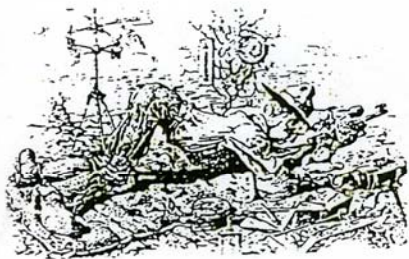
ELECTED MEMBERS OF THE EXECUTIVE COMMITTEE

John Chapman
Scott McGinnis
Roger Romses
Alain Marion

Steven Spinney
Gary Bowman
Scott Bissett
Daniel Chisholm

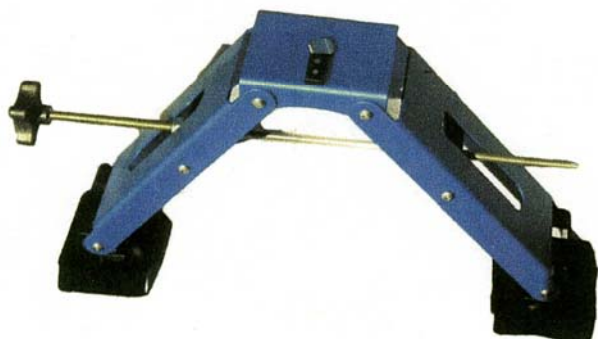
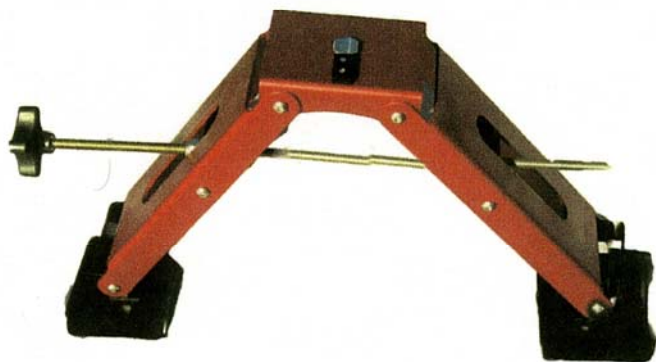
Pat Vamplew
Peter Westlake
Chris Jones

PLUS 3 ADDITIONAL
Aaron Daley
Mike Lutes
Barry Price



PAUL REIBIN DBA
**RANGE SPORTS
UNLIMITED**

854 Pleasant Street
Kamloops, BC Canada V2C 3B5
Phone (250) 372-7030 Fax (250) 372-3405



RANGE SPORTS PRESENTS

F CLASS BIPODS

STRONG & DEPENDABLE
Fits standard (Anschutz) rail,
EASY ONE HAND
ADJUSTMENT OPERATION

EEEEEE LEVEL TO ANY
GROUND PLANE

VERY LIGHT 505 grams
1 pound 2 oz

TOUGH ANODIZE IN 3
COLORS

RED

BLUE

GREEN

PROTOTYPE IN USE FOR YEARS WITH F CLASS RIFLE WEIGHT TO 10 KG

\$170.00 (ship & tax extra)

Gehmann



BERGER
BULLETS



champion

Kowa

SECRETARY TREASURER'S REPORT

This pro forma report is submitted by the Secretary Treasurer of the DCRA by authority of the Executive Committee to provide an overview of the programs, activities and financial status of the DCRA during the fiscal year 2012/2013. It should be read in conjunction with the reports of the Shooting and Administration Committees and reports in the Summer/Autumn 2013 issue of the Canadian Marksman. The Financial Statement for the 2012/2013 fiscal year is provided in the report of the Finance Committee.

The 2012/2013 Winter Postal Program had a successful year with entries from cadet corps, as well as juniors and seniors in the Open Class. We are continuing to use the grant provided through the generosity of the Royal Canadian Legion to reduce cadet entry fees and also pay for competitor participation badges. The fund currently has sufficient money to cover through the end of the 2014/2015 competition. Later this year we will be seeking replenishment of this fund.

The 2013 Canadian Rifle Team to Bisley included a full complement of target rifle competitors, but regrettably only one F-Class member made the trip. The team was led by Mr. Ron Ellis with Fazal Mohideen as the Vice-Commandant. The team had a respectable showing with 12 Canadians making it into the 2nd Stage of the Queens Final and three reaching the Final. Our congratulations and thanks go out to the team. Complete results are posted on the web site of the National Rifle Association of Great Britain (www.nra.org.uk).

A 28 man team represented Canada and the DCRA at the 2013 F-Class World Championship at the Whittington Centre, in Raton, New Mexico. They competed in both F-TR and F-Open disciplines in the US Nationals and World Championships, earning distinction and recognition. It is hoped that many of these competitors will attend the Regional F-Class Championships as well as the F-Class National Championship in Connaught in August 2014. Mid-August 2013 saw the annual highlight of the shooting season with the DCRA holding four separate competitions:

The Black Powder National Championship (BPNC) was conducted from 15-17 August with 24 competitors firing in three Black Powder disciplines. This was a significant increase over 2012 when only 16 competitors attended. The F-Class National Championship (FCNC) was also held during the period 15-17 Aug and was attended by only 21 competitors. This was half the turn-out of 2012 but was expected because of the large Canadian Team at the World F-Class Championships in New Mexico.

The big winners were Leo D'Amour and Raymond Turcotte in F-Open and Fred Harvey, Steve Levesque and Kenny Proulx in the F/TR discipline.

The 131st Canadian Fullbore Rifle Championship (CFRC) was conducted from 15-24 August with 200 competitors shooting for fame and glory. The Governor General's Award went to Henryk Golaszewski of the Great Britain Rifle Team, while BC's Jim Paton took home the medal as the Canadian Open Target Rifle Champion.

The National Service Conditions Championships were conducted 30 August – 7 September in with 118 competitors in three disciplines. Many of these were military competitors using NSCC as a warm-up to the Canadian Armed Forces Small Arms Competition (CAFSAC) which immediately followed. Keith Cunningham won his fourth Service Rifle Championship and fifth 3-Gun Championship while Kirk Chin was the top pistol shooter and Richard Poaps took top honours in the Precision/Sniper Rifle discipline. Over the years NSCC has employed competitors as range and butt staff; 2013 was no exception. Efforts are underway to provide full-time range staff and thus improve the experience for all concerned in 2014. During the final awards ceremony, WO Dave Oakie was inducted into the DCRA Service Conditions Hall of Fame.

Membership for the year starting 1 April 2013 was reported as displayed in the table below, for insurance renewal. The 1 April 2012 numbers are also shown for comparison purposes. The difference in just one year is not encouraging.

Provincial Rifle Associations	DCRA Members 1 April 2012	DCRA Members 1 April 2013
British Columbia	135	116
Alberta	28	20
Saskatchewan	15	10
Manitoba	58	57
Ontario	305	271
NCRRA	276	276
Quebec	92	81
New Brunswick	18	12
Prince Edward Island	5	17
Nova Scotia	15	10
Newfoundland and Labrador	5	3
TOTAL	952	871
Non-Canadians	135	92

SECRETARY TREASURER'S REPORT

2014 has been an emotional year for the staff in the DCRA office. The passing of Mrs Liliane Stewart in early May brought despair and added a somber note to the competition planning. The daily battles with a seemingly uncaring and unfeeling military bureaucracy in downtown Ottawa created frustration and anger. The balancing act needed to produce a quality competition while spending as little as possible caused untold angst; while the revelation that fewer than fifty DCRA full members had bothered to sign up for the target rifle competition at CFRC rang like a wake up bell with the realization that this could be the death knell of the association.

Then came the understanding of why we put ourselves through this annual struggle. There was the renewal of hope generated by the Canadian Under 25 FCNC Team and their very obvious enthusiasm. The humility and humour with which Kent Reeve accepted his awards for his third victory in the CFRC Grand Aggregate and the Governor General's Final brought forward smiles and chuckles.

The TR America Match added a sense of drama not seen in some time. As a finale, there was the standing ovation given to Ryan Steacy at the NSCC Awards Ceremony when he was inducted into the Shooting Hall of Fame. Add in a measure of embarrassment at the slim pickings on offer at the Meet & Greet; throw in some hum-

ble pie at once again sipping PIMS from the Canada Cup and it was a roller coaster ride to be sure.

In retrospect, I realize that every year brings its own set of emotions, challenges and achievements. What we make of them helps define who we are as people and as an association. 2014 was just more of the same old, same old and all is good!

The front and back covers of this edition of the Canadian Marksman display both the despair and joy that have highlighted this year.

Elsewhere in this edition we look at back at the life of Liliane Stewart and what she meant to the association. We also ask for reader feedback on the format of future CFRC Meet and Greets and we salute the achievements of our latest inductee into the Hall of Fame.

As always in the fall edition, we have included the winners of all events in CFRC and NSCC. Hearty congratulations are offered to the successful competitors.

Keith Bornn
Sec-Tres & Match Director

New Canadian Rifle Team Hat

For some years, we have not been able to obtain the traditional Stetson Team Hat. However, we have now found a new supplier in the USA, who can provide a good product at a relatively reasonable cost. We will have limited stock available, while supplies last, for purchase on a first-come first-served basis, at a price of \$95.00, including the puggaree, which will be specially wound in Ottawa. The DCRA hat badge may be added at an additional cost of \$10.00. These prices include HST and US\$ exchange. The price is almost certain to increase when fresh stock has to be purchased.

Members of Official Canadian Teams are eligible to purchase one of these hats. Orders should be placed with the DCRA Office and must include your hat size. The order should be accompanied by a cheque for full payment or credit card authorisation. Those ordering will be informed when their hat is available for pick up in the DCRA Office. Shipping outside Ottawa will be at an additional charge.

Please measure your hat size very carefully, since once we have received your order it cannot be changed.



		HAT ORDER
20 7/8 cm	6 5/8"	Small
21 1/8	6 3/4	Small
21 1/2	6 7/8	Small
21 7/8	7	Medium
22 1/4	7 1/8	Medium
22 5/8	7 1/4	Large
23	7 3/8	Large
23 1/2	7 1/2	Extra Large
23 7/8	7 5/8	Extra Large
24 1/4	7 3/4	Extra Large
24 5/8	7 7/8	Extra Extra Large
25	8	Extra Extra Large

THE MAJOR COLIN BROWN TROPHY

This has been a year of anniversaries, in Canada and around the world: 100 years since the start of World War I, 75 years since the start of World War II, and 70 years since D-Day. In the DCRA, this special year has marked the 90th birthday of Colin Brown and the 75th anniversary since he first competed at the DCRA. He is our only active shooter who competed before the Second World War, and he is still shooting very well!

To mark this occasion, the members of the Grand Order of Dinosaurs, the GODs, who are old but not quite SO old as Colin, launched an appeal to raise funds for a new trophy in Colin's name. The response from within Canada and from many countries around the world was truly impressive. Much of what went on was kept secret from Colin, but we did need to ask him if he would agree to there being a new trophy in his name. His response was typical: "Well, I don't know – what will you then be able to do for my 100th birthday?"!! However, in the end he

did agree and expressed the wish that the trophy be awarded annually to a younger Canadian. Thanks to the donors' generosity, a fine trophy in polished Malaysian pewter was obtained from Royal Selangor.



The final decision was that the trophy should be awarded to the top Canadian aged 30 years or less in the President's Match at the CFRC. The winner each year will also receive a keeper award.

The first recipient was Shannon Westlake who scored 150.20, just ahead of Justin Hearn at 149.24.



Colin was presented with a plaque from the DCRA, another plaque from the Old Dinosaurs, and a framed photograph of himself with his family at Bisley in 1973, when he was Commandant and when Canada won the Kolapore.

Jim Thompson



**132nd DCRA CANADIAN RIFLE CHAMPIONSHIPS &
3rd F-CLASS NATIONAL CHAMPIONSHIPS**

We hosted the *America Match* in 2014, giving us a nice attendance boost of both F-Class and TR shooters.


The **Canadian F Class National Championship** saw 71 entries (31 F-Open and 39 F-TR). In teams competition there were two official national teams, Canada and USA, of fifteen members (four F-TR shooters, four F-Open shooters, plus coaches spares and team officials), and several more highly-competitive alongside teams. We also saw the first appearance at our national matches of a Canadian Under-25 F-Class Team, who conducted themselves at the highest level of sportsmanship and shooting ability. The F-Class America Match was won by the **USA Rifle Team** with a score of 2366v265, fired under cold, rainy and challenging conditions.

In the individual FCNC competition, **Shiraz Balolia** of the USA won the Grand Aggregate in F-Open and **Will Chou** of Canada won F-TR class.

In TR shooting, the **Canadian Fullbore Rifle Championship** drew 197 entries (191 TR and 6 F-Class), including full teams from Canada, Great Britain, the United States and Japan. The **Great Britain Rifle Team** captained by Matt Charlton won both the Canada Match and the Commonwealth Match. Following the CFRC the **America Match** was fired and contested extremely fiercely under extremely light wind conditions, being won by the **USA Rifle Team** with a score of 2392v339.


In individual competition **Kent Reeve** of North Carolina, USA won both the **Macdonald Stewart Grand Aggregate** and the **Governor General's Prize**. Even more remarkably this was not the first time that Kent achieved a double-win in our matches!

*Daniel Chisholm,
Programme Chairman*



PAUL REIBIN DBA
**RANGE SPORTS
UNLIMITED**

854 Pleasant Street
Kamloops, BC Canada V2C 3B5
Phone (250) 372-7030 Fax (250) 372-3405




ATTENTION COLLECTORS OF U S CIVIL WAR MEMORABILIA

I have for you an original copy of a photograph of ROBERT E LEE, in a vintage wood frame with the vintage square nails. The "Booted and Spurred" portrait was taken in 1863 at the Richmond Studio of MINNIS and COWELL. The print is about 7 1/4 inch high. There is embossing under the print on the matting – reading--

“ENTERED ACCORDING TO ACT OF CONGRESS IN THE YEAR 1863
BY MINNIS & COWELL IN THE CLERKS OFFICE OF THE DISTRICT
COURT OF THE CONFEDERATE STATES FOR THE EASTERN
DISTRICT OF VIRGINIA”

Along with this prized photograph goes the Book – ROBERT E LEE, “THE MAN AND THE SOLDIER” by Philip Van Doren Sterm, c 1963. Plus the Book “MILITARY BLUDERS” by Major Steven Eden, U S Army, c 1995.

Price for all is \$2500.00, CDN. (shipping extra). Yes, make an offer of more or less.
Contact Paul Reibin, phone 250-372 7030 or FAX 250-372 3405.



3rd ANNUAL F-CLASS NATIONAL CHAMPIONSHIPS

	<u>F/TR</u>		<u>F/O</u>	
SIERRA LONG RANGE CHALLENGE I	Mark Fletcher	75V7	Shiraz Balolia	75V10
SIERRA LONG RANGE CHALLENGE II	Will Chou	73V7	Don Nagel	75V7
SIERRA LONG RANGE CHALLENGE III	Alan Barnhart	75V12	Kenny Adams	75V9
SIERRA LONG RANGE CHALLENGE IV	Raymond Gross	74V12	George Robertson	75V10
ARMY & NAVY VETERANS	Alan Barnhart	71V6	Kenny Adams	75V5
OTTAWA REGIMENT	Samuel Martin	74V8	Kenny Adams	75V14
THURSDAY 900	Laura Perry	75V9	Gordon Ogg	75V7
FRIDAY 800	Kevin Chou	75V10	Rhys Ireland	75V11
FINAL (SEEDED)	James Crofts	73V9	Eric Bisson	74V8

CANADIAN 700 & 800 AGGREGATE			
Will Chou	295V25	Shiraz Balolia	299V34
BISLEY AGGREGATE			
Mark Fletcher	217V14	Marius Dechamplain	222V17
SIERRA LONG RANGE CHALLENGE AGG			
Will Chou	294V28	Shiraz Balolia	298V34
CDN NATIONAL CHAMPIONSHIP GRAND AGG			
Will Chou	655V54	Shiraz Balolia	664V71

TEAM MATCHES

WEDNESDAY 900			
F/TR	JONATHAN LAITRE, TREVOR MCMAKEN, DAVID HARRY, BILL WATTS		288V20
F/O	DON NAGEL, GEORGE ROBERTSON, SHIRAZ BALOLIA, KENNY ADAMS, NANCY TOMPKINS		290V23
FRIDAY 800			
F/TR	BILL WATTS, GERRY WEINS, TREVOR MCMAKEN, DAVID HARRY		292V24
F/O	DON NAGEL, TONY ROBERTSON, SHIRAZ BALOLIA, KENNY ADAMS, NANCY TOMPKINS		296V31
LUM MATCH			
F/TR	BILL WATTS, GERRY WEINS, TREVOR MCMAKEN, DAVID HARRY		292V23
F/O	DON NAGEL, GEORGE ROBERTSON, SHIRAZ BALOLIA, KENNY ADAMS, NANCY TOMPKINS		298V33



F-TR Champion Will Chou, and F-Open Champion Shiraz Balolia



Canadian U25 F-Class Team members Justin Bond and Cassidy Chupa

On behalf of our F-Class shooters the Dominion of Canada Rifle Association would like to thank Hirsch Precision and Nightforce Optics for their generous support of this year's F-Class Nationals.



HIRSCH PRECISION INC.



NIGHTFORCE™

NOW IN STOCK

BARNARD ACTIONS

**FULL LINE OF NIGHTFORCE SCOPES INCLUDING
ALL COMPACT MODELS
BEAST WITH MILRADIAN ADJUSTMENTS
NEW SHV HUNTING LINE**

**PIERCE, BARNARD AND BORDEN
ACTIONS IN STOCK.**

**KRIEGER AND BARTLEIN BARRELS
NIGHTFORCE, WIDE SELECTION
INCLUDING ACCESSORIES AVAILABLE
AND MORE ARRIVING REGULARLY.
KURZZEIT GERMAN CHRONOGRAPHS
SIGHTRON SCOPES AND BINOCULARS
LAPUA PRODUCTS**

HIRSCH PRECISION INC.

Lake Echo, Nova Scotia

Ph: (902) 829-2932 - Fax: 902-829-2782

info@hirschprecision.ca

BLACK POWDER NATIONAL CHAMPIONSHIPS

In Appreciation...

Thanks on behalf from all of this year's participants to Kathy Corcoran, Linda Barker, Match Director Keith Bornn, Bobby Rae Giff and her markers, Bill Kedziora and his range staff along with the CRPTC personnel. I would also like to recognize Dave Gullo of Buffalo Arms, Jim Kelley of Kelley Sights, Steve Garbe of SPG Inc., Ray Hanson and Sandy Post for their contributions and support.



despite loading from the wrong end under adverse conditions, his final performance resulted in a fourth place Grand Aggregate finish overall (if rifle class were disregarded) a mere four points behind the third place Cartridge class Agg winner. An outstanding result reflective of the capabilities of a venerable rifle design.

The days shooting continued with the 500m Creedmoor event, and the two-stage 600m Wimbledon, taken by Ivan Duval of the US over Dave Gullo by one V-bull.



More new faces...

2014 saw a further increase in participation by muzzle loaders, sufficient to warrant the application of a separate prize list recognizing their accomplishments. I wish to reiterate that the DCRA BP Championships encourage and recognize not only Muzzle Loading but offers those choosing to compete with optically sighted rifles an opportunity to enter in the Scoped Rifle category introduced in 2012. The matches also welcomed several new shooters from both sides of the border in all three DCRA BP disciplines, bringing this years attendance to 28.

A soggy shoot...

Thursday opened with what proved to be 2½ days of cool, rainy weather. The Wilf Black match for original military and sporting rifles at 200 meters won by Chris Jones of Canada with a Springfield, trailed by Cody Hicks and Frank Monikowski. The BP Aggregates for Cartridge and Muzzle Loading then began with the Victorian at 300 meters. Ray Hanson won the Cartridge class award, and the Muzzle Loading class was presented to Frank Monikowski.



Frank eventually went on to dominate his class over the course of the Championship, and it bears mentioning that

The miserable weather persisted through Friday with the BP 700 and two-stage BP Long Range (800m) and BP 1000 (900m) events. Cartridge class competition was close, with the Long Range taken by Dave Gullo over Robert Englebach by one point, and the 1000 won with one V-bull by Cody Hicks ahead of Dave Gullo. The only exception to Frank Monikowski's dominance of the Muzzle Loading class was Ed Deckers win at 800m.



Both the Loyalist and Ranger Cups for concurrent Short and Long Range team competition were taken by The Real Drygulchers, Dan Boyle, Dave Gullo and Ray Hanson.

The Cartridge Grand Agg (along with the North American Trophy and a Long Range Soule sight and base donated by Jim Kelley of Kelley Sights) was presented to Dave Gullo (268-V8/300), followed by Ray Hanson and Dan Boyle. The Muzzle Loading Grand, Quaiche Cup, and a custom wrist rest by Sandy Post were presented to Frank Monikowski, with second going to Ed Decker and third to Richard Page.

Chris Jones

BLACK POWDER NATIONAL CHAMPIONSHIPS

Shooting concluded Saturday morning with the Canada-US International Team Match. As last year, teams were arbitrarily selected reflecting a mix of nationalities, rifle classes and capabilities. The three 900-meter matches enabled newcomers to shoot alongside veterans and benefit from the experience they might not gain otherwise. Team Hanson, consisting of Hanson, Decker, Reive, Englebach, Patterson, Jones, and Cody Hicks, took first place.

In conclusion...

The 2014 matches, despite being cursed with what was probably the worst weather experienced in several years and mechanical issues and illness that prevented some from completing the entire course of fire, proved to be an enjoyable and rewarding experience for all involved. The DCRA looks forward to welcoming BP shooters new and old to next years Matches.



CANADIAN BLACK POWDER CHAMPIONSHIPS 2014

		<u>CARTRIDGE</u>	<u>MUZZLELOADING</u>
WILF BLACK	1 ST	Chris Jones 44V3	Frank Monikowski 44V3
VICTORIAN	1 ST	Raymond Hanson 47V3	Frank Monikowski 37V1
CREEDMOOR	1 ST	Raymond Hanson 47V1	Frank Monikowski 40V0
WIMBLEDON	1 ST	Ivan Duval 45V2	Frank Monikowski 46V6
BP 700	1 ST	Dave Gullo 49V2	Edwin Decker 41V1
BP LONG RANGE	1 ST	Dave Gullo 44V1	Frank Monikowski 42V1
BP 1000	1 ST	Cody Hicks 43V1	Frank Monikowski 121V4
SHORT RANGE AGG	1 ST	Raymond Hanson 135V5	Frank Monikowski 127V5
LONG RANGE AGG	1 ST	Dave Gullo 136V3	

CARTRIDGE RIFLE GRAND AGG

1ST Dave Gullo 268V8

MUZZLE LOADING GRAND AGG

1ST Frank Monikowski 249V9

- SHORT RANGE CONCURRENT TEAM MATCH LOYALIST CUP**
- REAL DRYGULCHERS (RAYMOND HANSON, DANIEL BOYLE, DAVE GULLO) 388V13**
- LONG RANGE CONCURRENT TEAM MATCH RANGER CUP**
- REAL DRYGULCHERS (RAYMOND HANSON, DANIEL BOYLE, DAVE GULLO) 396V12**
- INTERNATIONAL TEAM MATCH**
- TEAM HANSON 250V4**

132nd DCRA CANADIAN RIFLE CHAMPIONSHIPS

H.E. THE GOVERNOR GENERAL'S PRIZE

Kent Reeve

THE MACDONALD STEWART GRAND AGGREGATE—CDN OPEN TR CHAMPION

Kent Reeve

THE MACDONALD STEWART GRAND AGGREGATE—TOP UNDER 25 CANADIAN WINNER

Nick Flint

THE CANADIAN TARGET RIFLE CHAMPIONS

Des Vamplew

THE CANADIAN MASTERS CHAMPIONSHIP

Patrick Vamplew

THE DES BURKE TARGET RIFLE AWARD

Paul Tremblay

THE JOHN C. STACENKO AWARD

Aaron Kurd

THE PATRON'S

John Whidden

THE GERRY OUELLETTE AWARD

Justin Hearn

THE MAJOR COLIN M. BROWN AWARD

Shannon Westlake

REX GODDARD STAGE 1

RCAC National Rifle Team

THE BUELL

Team Central #1

THE CANLOAN

Canada

132nd DCRA CANADIAN RIFLE CHAMPIONSHIPS

OTTAWA REGIMENT

Jon Underwood 75V13

GOODERHAM

Alastair Haley 100V18
James Thompson FF 100V9

CDN 223/556 CHAMPIONSHIP

James Thompson 371V45

ARMY & NAVY VETERANS

Maxime Willing 75V11

TILTON

Fazal Mohideen 100V18
Paul Reibin FF 100V9

CHAMPLAIN AGGREGATE

Nicole Rossignol 350V44

SIERRA LONG RANGE I

Des Vamplew 50V9

SIERRA LONG RANGE II

Russel Theurer 50V3

SIERRA LONG RANGE III

Stephen Hunt 50V6

SIERRA LONG RANGE IV

John Deane 50V6

UNDER 25 – ALL COMERS

Alix Voorthuyzen 590V52

UNDER 25-GZOWSKI

Cheryl Hearn 206V8

UNDER 25-GRAND AGG

Nick Beaulne 800V74

SIERRA LONG RANGE AGG

John Deane 198V23

MACDOUGALL

Angus McLeod 100V16
Paul Reibin FF 100V17

NORMAN BECKETT

Jane Messer 100V17
Paul Reibin FF 98V12

JOHN C. BRICK

Jon Underwood 100V6
Paul Reibin FF 100V15

DICK HAMPTON

Jane Messer 200V30
Paul Reibin FF 198V27

LETSON

Bryan Litz 105V18
Paul Reibin FF 105V15

ALEXANDER OF TUNIS

Des Vamplew 50V9
Paul Reibin FF 50V3

JACK GORRIE AGG

John Whidden 155V23
Paul Reibin FF 155V18

KLONDIKE AGG

Jane Messer 454V60
Paul Reibin FF 453V62

PRESIDENTS

Paul Tremblay 150V25
James Thompson FF 149V22

GIL BOA AGG

Kent Reeve 200V30
James Thompson FF 199V29

GIBSON

Shannon Westlake 150V25
Paul Reibin FF 150V26

SHORT RANGE AGG

Bryan Litz 235V40
Paul Reibin FF 235V39

MAPLE LEAF AGG

John Whidden 370V52
Paul Reibin FF 369V56

MCCULLOUGH

Robert Pitcairn 597V67
Paul Reibin FF 604V95

STREET

Armando Coello 74V7

GATINEAU

Norman Anderson 75V12
James Thompson FF 74V8

GZOWSKI AGGREGATE

Emma Nuttall 225V30

CDN ARMED FORCES TR CHAMP

Shannon Westlake 821V96

POLAR BEAR AGG

John Whidden 593V80
Paul Reibin FF 588V72

ALGONQUIN HIGH SCORE

Marc Landreville 98V11

S.J. PERRY

Pierre Tremblay 146V10
James Thompson FF 150V17

CONNAUGHT AGG

Terry Glenn 289V28

MFC WALKER AGG

Matthew Witherley GS 118V7
Taylor Mason SS 120V8
Marc Landreville EX 120V6
Emma Nuttall
Paul Reibin FF 121V6

JOHN STACENKO AWARD

Aaron Kurd 945V76

MILROY AGGREGATE

John Whidden 250V39
James Thompson FF 249V37

CANADIAN LADIES CHAMPION

Shannon Westlake 821V96

CRONE TROPHY

Paul Reibin FF 823V11

AGGREGATE OF 21ST CENTURY

Jon Underwood TOP TR 1322V166
Bruce Lister TOP GS 910V35
Danny Dineen TOP SS 1133V83
Justin Hearn TOP EX 1243V144

ALL COMERS AGG

Fazal Mohideen 604V83
Paul Reibin FF 604V95

TEAMS

GORDON HIGHLANDERS

Mons Gold 832V95

AYLMER GARD

Mons Gold 596V79

FAMILIES

Tremblay P&P 300V41

MAYOR OF BAGSHOT

Mons Gold (ORA) 986V107

GILLESPIE

Mons Gold (ORA) 2402V295

SENIOR/UNDER 25 PAIRS

Renee Paquette
Russell Theurer 1197V113

TR/F-CLASS PAIRS

Mark DelCotto
Baker DelCotto 1614V174

COACHES MATCH

Team USA Praslick 100V12

PROVINCIAL

BCRA 597V54

VICTORIA RIFLES

Mons Gold (ORA) 880V83

ALGONQUIN

NCRRA Gold 387V31

I

MPERIAL TOBACCO

Mons Gold (ORA) 3279V362

CHAMPION PAIRS

Richards Associates 1648V209

132nd DCRA CANADIAN RIFLE CHAMPIONSHIPS

CADETS, JUNIORS & UNDER 25

IMPERIAL CADET CUP

Cadet Mathew Makin

CDN CADET TR CHAMP

Aaron Kurd 797V64

VISCOUNT WAKEFIELD

Cadet Mathew Makin

CADET BISLEY AGG

Yolanda Jin 740V76

BOTSFORD

Jalen Czuba 150V13

BREWERS ASSOCIATE

Yolanda Jin 592V58

CDT/JR OPEN SHORT RANGE

Mathew Makin 595V60

CDT/JR OPEN TR CHAMPION

Adam Partridge 808V64

COULTER

William Broad 601V71

HARRISON

Adam Partridge 218V14

OTTER

William Broad 817V95

MICHAEL FARADAY

Canada 408V35

CADET BISLEY AGGREGATE

Yolanda Jin 740V76

Aaron Kurd 737V63

Jalen Czuba 736V62

Elijah Clarke 736V49

Alexander Walton 734V69

Marian Patrick 733V65

Remi Rousseau 730v71

Abhayjot Ressi 728v44

Vanessa Ho 724v46

Philippe Asselin 722v57

Tyler Swanson 722v49

Patrick Green 721v54

Jeremie Brodeur 717v52

Jeremi Belanger 715v47

Joshua Vallee 715v44

Thomas Vila 713v49

Carter Moase 712v42

Flynn Clark 711v58

INTERNATIONAL TEAM MATCHES

INT'L UNDER 25 LONG RANGE

Canada 776v68

INT'L UNDER 25 SHORT RANGE

Great Britain 1171v110

COMMONWEALTH

Great Britain 1192v132

LANSDOWNE

NCRRA "Gold" 567V42

OUTLANDER

Great Britain Red 597V84

CANADA MATCH

Great Britain 1197V163

INTERPROVINCIAL TEAM MATCHES

CARLING BREWERIES

Team Ontario 884V95

COATES

Ontario 1315V121

JUBILEE

Team Ontario 614V64

LADIES PAIR

Team Ontario 295V31

STEINHARDT

Ontario 591V59

VETERANS TEAM

Ontario 593V67

ALL COMERS TEAM

Team Ontario 3605V438

MACDONALD STEWART GRAND AGGREGATE

MACDONALD STEWART GRAND AGG

Kent Reeve 828V102

TOP GS - WESTHEAD TROPHY

Matthew Witherley 799V63

TOP SS - STRACHAN TROPHY

Danny Dineen 801V62

TOP EX - ROYAL RIFLES TROPHY

Justin Hearn 819V96

HIGH U25 CDN - W.M. STEWART AWARD

Nick Flint 804V68

MS GRAND AGG-FF

Paul Reibin 823V111

MS GRAND AGG TEAM

Ontario 6453V712

TOP LADY-TESS SPENCER AWARD

Emma Nuttall 825v107

RUSSELL G. POTTER MEMORIAL

Adam Partridge 808v64

FRANCIS JERMEY AWARD

Polly Winter 777V49

GOVERNOR GENERAL'S FINAL - 2014

1	Kent Reeve	USA	255v38	23	Alain Marion	CAN	254v26
2	Fazal Mohideen	CAN	255v35	24	John Whidden	USA	253v38
3	Shannon Westlake	CAN	255v35	25	James Paton	CAN	253v36
4	William Broad	UK	255v33				
5	Ian Shaw	UK	255v32	26	Norman Anderson	USA	253v33
6	Amanda Elsenboss	USA	255v31	27	Jon Underwood	UK	253v31
7	David Armstrong	UK	255v29	28	Tom Drysdale	UK	253v31
8	Paul Tremblay	CAN	254v41	29	Stephen Hunt	CAN	253v30
9	Bryan Litz	USA	254v40	30	Rob Mango	USA	253v30
10	Justin Hearn	CAN	254v37	31	Angus McLeod	UK	253v29
11	Mark DelCotto	USA	254v36	32	Oliver Marshall	UK	253v28
12	Alastair Haley	UK	254v35	33	Alwyn McLean	UK	253v28
13	Nigel Ball	UK	254v34	34	Antony Betts	CAN	253v28
14	Brandon Green	USA	254v34	35	Emma Nuttall	UK	252v34
15	Jon Ford	UK	254v31	36	Emil Praslick	USA	252v31
16	Raymond Gross	USA	254v29	37	Roger Romses	CAN	252v30
17	Dominic De Vere	UK	254v29	38	Michael Wong Shui	CAN	252v30
18	Patrick Vamplew	CAN	254v28	39	Jane Messer	UK	252v29
19	John Friguglietti	USA	254v28	40	Robert Pitcairn	CAN	252v29
20	Peter Hornsby	CAN	254v27	41	Stuart Young	UK	252v28
21	Shane Barnhart	USA	254v27	42	Nick Flint	CAN	252v28
22	Russel Theurer	USA	254v26	43	Peter Church	USA	252v26

Ralph & Sons Diner

3420 Carling Avenue

Nepean, ON K2H 5B1

Tel: (613) 828-0697

Take out available

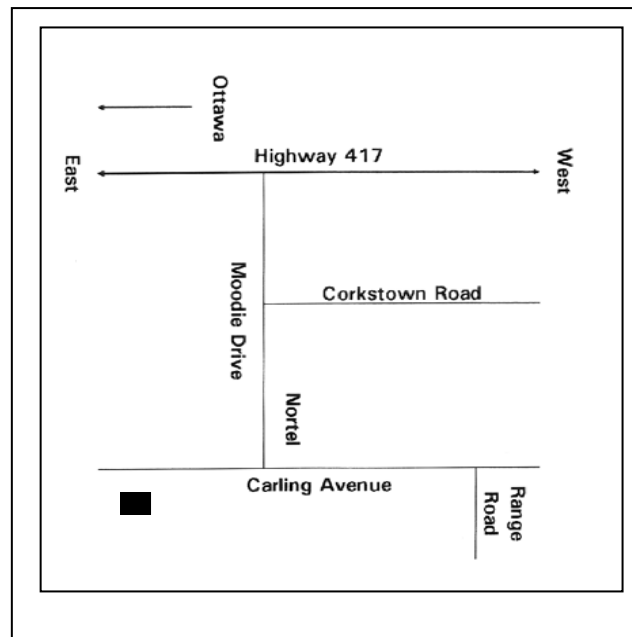
Diner Hours

Monday to Friday6 am to 3 pm

Saturday & Sunday.....6 am to 3 pm

Team Breakfast and Lunch

50 Years of supporting the Marksman



CANADIAN TARGET RIFLE CHAMPIONSHIP - 2014

1	Des Vamplew	ON	972v118	26	Scott Murray	ON	952v82
2	Pat Vamplew	ON	971v102	27	Frederick Yip	BC	950v71
3	Donald Pitcairn	BC	969v110	28	Steven Spinney	ON	948v78
4	Justin Hearn	NL	968v108	29	Jeffrey Jenkins	NS	947v89
5	Fazal Mohideen	ON	967v115	30	Nick Flint	ON	945v74
6	Robert Pitcairn	BC	967v101	31	Murray Sloane	MB	942v78
7	George Wright	ON	966v106	32	Catherine Choquette	ON	941v76
8	Shannon Westlake	ON	966v105	33	Marc Landreville	ON	9399v60
9	Michael Lutes	NB	967v88	34	Peter Redstone	AB	938v62
10	Paul Tremblay	QC	963v101	35	Ric Melling	HK	937v74
11	Antony Betts	ON	962v100	36	Alix Voorthuyzen	BC	937v74
12	James Paton	BC	961v102	37	Roger Mullin	ON	937v73
13	Peter Westlake	ON	961v98	38	Scott McGinnis	ON	935v80
14	Serge Bissonnette	ON	961v94	39	Stefan Isaacs	USA	910v55
15	Daniel Chisholm	NB	961v87	40	John Chapman	MB	910v42
16	Stephen Hunt	ON	959v89	41	Cheryl Hearn	NL	909v51
17	Roger Romses	ON	958v104	42	Bruce Lister	ON	843v29
18	Michael Wong Shui	ON	958v85	43	Renee Paquette	ON	802v63
19	Pierre Tremblay	QC	957v89	44	Steven Levesque	QC	802v61
20	Gary Bowman	ON	955v96	45	Peter Hornsby	ON	801v71
21	Faisal Rahman	ON	955v74	46	Nicolas Beaulne	QC	800v74
22	Ken Westling	BC	954v87	47	Patrick Champagne	ON	798v66
23	Paul Dudzinski	BC	953v101	48	Mathew Makin	ON	797v74
24	Jacques Dugas	QC	953v90	49	Aaron Kurd	ON	797v64
25	Deen Mohideen	ON	952v95	50	Yolanda Jin	BC	796v72



Cheryl Hearn on the firing point. Photo by George Wright

NATIONAL SERVICE CONDITIONS CHAMPIONSHIP

Appreciation...

I want to extend my most sincere thanks to Keith Bornn, Kathy Corcoran and Linda Barker who did the best job ever in the DCRA office to make sure the matches had the required administrative support. This behind-the-scenes work is essential for these matches to continue to lead by example. A special and heartfelt thanks to Steven Stewart (who helped us in pistol), Aaron Grubin, Jay Anowara, Sean Gagnon and Matt Kirkpatrick who were with us for the duration.

For the first time, the DCRA hired a full time Range Officer and Butt Officer. John Todd and Luc Joly were worth their weight in gold. I cannot begin to put my true feelings into words for the outstanding job they accomplished.

My gratitude to the Connaught Range staff that provided the ranges, the down-range administrative details and special thanks to Chuck Courtemanche, Ron Henderson and Ben Jardine who annually provide us with the support we need. My deepest appreciation to the "Senior Shooters" who provided me with sound and timely counsel when it was required. By providing the "steadiness in the ranks", you made a difference and with your cooperation these matches were the success they were.

As well, thanks to all the competitors who gave the extra effort by volunteering for work parties to make sure all of the many little details were accomplished. It is as a result of this willingness to help that we can have these matches. Everyone commented on how "smooth" the matches went this year.

A particular recognition to our sponsors who provided us with an element of class that made our event special. Colt Canada and Matt Kirkpatrick (Commercial Sales, Colt Canada) have been supporting NSCC for several years and donated a Diemaco SA20 (AR type rifle) as they understand the roots of the DCRA. This prize went to MBdr William MacKeigan (5RCA) the top shot in the CAF/

RCMP class in the NSCC Service Rifle event. Thank you to James R. Cassells (GLOCK Inc. District Manager – Canada) who provided a Glock pistol to the top CAF/RCMP competitor in the NSCC Operational Pistol event, won by Cpl Mat Valcour (GGFG).

The Challenges for this year...

Our challenges were few with the outstanding support we get from the DCRA. Connaught Ranges provided a sound system for the butts and the DCRA provided a portable sound system for the firing line which worked very well. Sound systems for the butts and firing line is an important requirement for running these complicated matches.

For the past many years the only way we can get volunteer range staff is by offering them R&Q and match fees. This creates an extreme burden on range staff but was the only way we could attract anyone to do the job. This was eased considerably with the hiring of John Todd and Luc Joly to be full time Range and Butt Officers and was augmented by the volunteer staff who filled in as assistant firing point/butt officers. The obvious solution is to hire 2 assistant ROs and 2 assistant BOs.

So what went well for us this year...

In addition to the sound system and the hiring of range staff, the sponsors providing a rifle and pistol as prizes was extremely well received. We hope that they will again be provided for next year when we can have more lead-in time to properly advertise.

Attendance and results...

Totals-63 shooting in Service Pistol, 64 in Sniper/Precision Rifle (including DM) and 86 in Service Rifle. I encourage provinces to pry loose some of their service conditions shooters and enter a team – it only takes 4. If anyone needs assistance in entering, contact me or email and I will guide them in any way possible.

These matches are not just for military personnel but also for civilians who are interested in this style of shooting.

Nowhere else in the world can civilians, police and military shoot alongside each other in these types of matches and with operational-type firearms. If you are interested, contact the DCRA for details.

Although detailed results are elsewhere in this magazine and are on the DCRA website, I am pleased to accept my sixth 3-Gun Championship. Congratulations to Cpl Ryan Steacy (BCR) who won his first Canadian National Service Rifle Championship, to Kirk Chin (Front Line Shooting Club) who won his second consecutive National Pistol Championship, Richard Poaps (RCMP) who took the top individual in the Sniper/Precision while he and I won the pairs championship, MBdr William MacKeigan (5RCA) who won the Canadian National Service Rifle CF Championship (and the Colt/Diemaco Rifle), Cpl Mathieu Valcour (GGFG/4 Cdn Div) who is the Canadian National Pistol CF Champion (and won the Glock Pistol) and to Cpl John Herriot (39 Sigs) and Pte Connor Andrews (Seaforth) who won the pairs Designated Marksman.

Congratulations to Cpl Jean-Christophe Boivin-Couillard (2 Cdn Div), who won the Regular Force Queen's Medal, and to Cpl Jonathan Palmer (5 Cdn Div), who won the Reserve Queen's Medal.

How things went this year with suggestions for next year...

Pistol

We continue to use the "Skills Drills" matches. These are well received, shot in relays and are easier to conduct than the scenario-based matches. This style of shooting teaches specific handling skills and involves many shots being fired throughout the day.

The Series B matches are the same as Series A except the timings per exposure were shorter. This adds an interesting dimension to the already challenging matches.

NATIONAL SERVICE CONDITIONS CHAMPIONSHIP

The only change that was entertained for next year is to allow the use of the compact reflex sight for the open class. This suggestion was well received by everyone as an opportunity to see and shoot new technology.

Sniper/Precision Rifle

These matches are well established. Operational military snipers mention the matches are good ones and if someone can shoot them well, they are well prepared for actual operations. The "Designated Marksman" class again received excellent support.

Service Rifle

The rifle matches went very well and received lots of positive feedback. The military competitors commented that they like this style of shooting

with its focus on marksmanship skills, provides them with a firm zero at all required distances and provides the best opportunity to gain experience with the winds at Connaught.

This year, to save a day in an already very long event, the "Walk Backs" were removed and, in Service Rifle only, were replaced with 3 extra sighters for each deliberate match.

DCRA Service Conditions Hall of Fame...

All of us at NSCC welcome Cpl Ryan Steacy to the DCRA Service Conditions Hall of Fame. Ryan is a most worthy member winning prestigious matches at Bisley, NSCC and in his home province of British Columbia. This year Ryan dominated the Service Rifle matches and set a record for

being the first ever to complete the 16 matches with all of his hits. This says a great deal for the challenge of these matches and for the skill he demonstrated in doing so well. Congratulations Ryan ... well deserved.

Consideration for entry into the Hall of Fame depends on a variety of conditions for which the accumulation of points is needed. Details can be obtained from the DCRA.

Conclusion...

If anyone has any comments or ideas please contact me and let me know what you are thinking.

Keith Cunningham

MADE IN CANADA

Limited
EDITION
SERVICE RIFLES

Colt Canada is pleased to introduce our first commercial rifles to the Canadian shooting community. We have re-introduced the iconic Diemaco™ brand with two rifles in similar configuration to the C7A2 & C8A3 models currently in service with the Canadian Armed Forces. Celebrate the 30th Anniversary of the C7/C8 models by owning these LIMITED EDITION Canadian built firearms. The SA20 rifle & SA15.7 carbine are here, but won't last long. Order yours today!

JOP PROGRAM - The Individual Officer Purchase program that Colt's Mfg. has traditionally offered is now available in Canada for our Diemaco rifles to show our appreciation for service. This program is open to members of the Canadian Armed Forces Regular Force and Primary Reserve, Police Officers and Nuclear Security Officers with public agent status. Please contact Korth Group for more information.

DIEMACO

FOR DISTRIBUTION INFORMATION AND DEALERS NEAR YOU
CONTACT INFO@KORTHGROUP.COM || 403-938-3255
FOR PRODUCT INFORMATION VISIT COLTCANADA.COM

Diemaco™ is a brand name of the Commercial Sales Line of Colt Canada.

-MODEL SA15.7-
\$1999⁰⁰ MSRP

-MODEL SA20-
\$1799⁰⁰ MSRP

BONUS OFFER
\$250.00 VALUE INCLUDED WITH EACH ORDER

- Colt Canada/Troy Flipup Rear Sight
- 30rd Metal Magazine (Pinned)
- Colt Canada/Franzen Magwell Lock
- 2 Point Nylon Sling
- OTIS 300 Cleaning System
- Pocket Operators Manual

COLT

NATIONAL SERVICE CONDITIONS CHAMPIONSHIP PRECISION/SNIPER MATCHES
--

	<u>OPEN</u>		<u>CAF DM</u>	
MATCH 60	Keith Cunningham		Cpl Edward Law	
	Richard Poaps	99.015	Capt Eric Storm	72.003
MATCH 61	Keith Cunningham		Pte Connor Andrews	
	Richard Poaps	97.013	Cpl John Herriot	73.001
MATCH 62	Keith Cunningham		Cpl Baron Hordo	
	Richard Poaps	98.012	Cpl Pat Fortin	88.005
MATCH 63	Terry Perkins		Cpl Mathieu Valcour	
	Tomasz Bledowski	100.017	Cpl C. Muldoon	95.008
MATCH 64	Scott Bissett		Pte Connor Andrews	
	Barry Price	99.012	Cpl John Herriot	84.004
MATCH 65	Barry Price		No Competitors	
	Scott Bissett	99.009		
MATCH 66	Keith Cunningham		No Competitors	
	Richard Poaps	93.006		
MATCH 68	Dave D'Angelo		Pte J.M. Desmarais	
	Thomas Krahn	94.008	Spr R.D.M. McLeod	43.000

TYRO CHAMPION

Mike Bird - Open 325.030

Pte Derek Brigham - CAF/DM 182.008

INDIVIDUAL PRECISION/SNIPER RIFLE CHAMPION

Richard Poaps - Open 343.045

INDIVIDUAL DESIGNATED MARKSMAN CHAMPION

Pte Derek Brigham - CAF/DM 182.008

PRECISION/SNIPER RIFLE TEAM OF FOUR

Keith Cunningham, Aaron Grubin, Richard Poaps, Cpl Ryan Steacy - Open 1517.144

DESIGNATED MARKSMAN TEAM OF FOUR

Cpl Baron Hordo, Cpl P. Fortin, Sgt J. Lavoie, CSgt Alexis Dallaire - CAF/DM 651.019

CANADIAN NATIONAL PRECISION/SNIPER RIFLE PAIRS CHAMPIONS

Keith Cunningham, Richard Poaps - Open 680.074

CANADIAN NATIONAL DESIGNATED MARKSMAN RIFLE PAIRS CHAMPIONS

Cpl John Herriot, Pte Connor Andrews - CAF/DM 343.013

NATIONAL SERVICE CONDITIONS CHAMPIONSHIP TACTICAL PISTOL MATCHES

SERIES A

	<u>CAF/TYRO</u>		<u>CAF/RCMP</u>		<u>OPEN</u>
Cpl Chad Dion	98.007	Cpl Sebastien Masse	100.008	Cpl Mathieu Valcour	100.017
MATCH 20					
Cpl Joey Tremblay	46.002	LS Jeremy Minto	47.001	Cst Kirk Chin	50.002
MATCH 21					
Cpl Sebastien Masse	59.006	Cpl R.A. Uygen	60.008	Richard Poaps	60.012
MATCH 22					
Sgt K. McKay	74.010	Cpl Simon Leclerc	75.012	Aaron Grubin	75.014
MATCH 23					
Cpl Chad Dion	76.001	LS Jeremy Minto	88.001	Keith Cunningham	100.008
MATCH 24					
Cpl Joey Tremblay	98.014	Cpl G. Merette	99.012	Cst Kirk Chin	100.017
MATCH 25					
Cpl Sebastien Masse	100.012	MCpl S. Kim	100.012	Richard Poaps	100.017
MATCH 26					
Cpl Joey Tremblay	99.011	CSgt Alexis Dallaire	100.013	Cst Kirk Chin	100.018
MATCH 27					
Bdr Michael Aube	147.015	CSgt Alexis Dallaire	149.022	Keith Cunningham	150.027
MATCH 28					

SERIES B

MATCH 30					
Cpl Edward law	98.008	Cpl Mathieu Valcour	98.013	Bdr J.F. Doucet	100.014
MCpl John MacKenzie	98.008				
MATCH 31					
Bdr Michael Aube	48.001	Cpl Mathieu Charest	48.001	Cpl James Berrette	49.004
MATCH 32					
Cpl Sebastien Masse	60.004	CSgt Alexis Dallaire	60.010	Mike Brake	60.010
MATCH 33					
Cpl Joey Tremblay	75.008	Cpl Mathieu Valcour	75.013	Aaron Grubin	75.014
MATCH 34					
Cpl Edward Law	76.001	MCpl S. Kim	84.002	Cst Kirk Chin	99.007
MATCH 35					
Cpl Chad Dion	93.004	Cpl Mathieu Valcour	97.008	Cst Jaewoo Park	100.012
MATCH 36					
Cpl Sebastien Masse	95.011	MCpl John MacKenzie	100.012	Cst Marek Drozdowski	100.015
MATCH 37					
Cpl Joey Tremblay	98.007	WO L.R. Parsons	99.013	Richard Poaps	100.016
MATCH 38					
Bdr Michael Aube	144.014	Cpl Mathieu Valcour	149.017	Bdr J.F. Doucet	150.023

SERIES A AGG MATCHES 20-28

Cpl Joey Tremblay	755.070	CSgt Alexis Dallaire	799.098	Keith Cunningham	829.113
-------------------	---------	----------------------	---------	------------------	---------

SERIES B AGG MATCHES 30-38

Cpl Joey Tremblay	762.056	Cpl Mathieu Valcour	781.093	Cst Jaewoo Park	824.089
-------------------	---------	---------------------	---------	-----------------	---------

**NATIONAL SERVICE CONDITIONS CHAMPIONSHIP
TACTICAL PISTOL MATCHES**

MATCH 40 LAST ONE STANDING

Mike Brake

FALLING BLOCKS

FRONTLINE Kirk Chin, Jae Park, Mike Brake, Marek Drozdowski

SERVICE PISTOL TEAM

CAF/RCMP

5 GBMC (3) 5920.485
Bdr Michael Aube, Cpl Simon Leclerc,
Cpl Joey Tremblay, Cpl Guillaume Merette

OPEN

RICHARD & THE BOYS 6539.760
Richard Poaps, Matt Kirkpatrick
Aaron Grubin, Keith Cunningham

CAF/TYRO CHAMP

Cpl Joey Tremblay 1517.126 2Lt Michael Magnaye 1430.092

SERVICE/TACTICAL PISTOL CHAMPION

Cpl Mathieu Valcour 1568.189 Cst Kirk Chin 1642.204



NATIONAL SERVICE CONDITIONS CHAMPIONSHIP SERVICE RIFLE MATCHES

<u>CAF/TYRO</u>		<u>CAF/RCMP</u>		<u>OPEN</u>	
		MATCH 1			
MCpl John MacKenzie	49.006	Cpl Dave Michaud	50.004	Capt Sean Gagnon	50.009
		MATCH 2			
Cpl Dave Michaud	49.006	Bdr Michael Aube	49.007	Sgt Timothy Nault	50.001
		MATCH 3			
Bdr Michael Aube	48.005	MCpl Sam Kim	49.005	Cpl Ryan Steacy	49.006
		MATCH 4			
Bdr Michael Aube	49.005	Pte E.M. Vanderdium	50.004	MBdr Dany Lesard	50.007
		MATCH 5			
Pte E.M. Vanderdium	49.007	Cpl Joey Tremblay	49.006	Keith Cunningham	50.007
		MATCH 6			
Cpl Markus Scott	50.002	Bdr Clyde Francis	50.006	Cpl Mathieu Valcour	50.007
		MATCH 7			
Cpl P. Lopez	49.004	Cpl Luke Butts	50.005	Capt Brennan MacLachlan	50.006
		MATCH 8			
MCpl John MacKenzie	48.004	MBdr Nicholas Sheffroth	49.004	MBdr Nicholas Lessard	50.006
		MATCH 9			
Cpl Sebastien Masse	50.003	Sgt Francis Archambault	50.004	Cpl Ryan Steacy	50.009
		MATCH 10			
Cpl V.Q. Nguyen	47.004	Sgt J. Lavoie	48.004	Cpl Ryan Steacy	50.006
		MATCH 11			
MCpl John MacKenzie	47.002	Cpl Baron Hordo	48.004	Cpl Ryan Steacy	50.005
		MATCH 12			
Pte J.M. Desmarais	48.002	Cpl Guillaume Merette	49.003	Cpl Nicholas Grenier	50.004
		MATCH 13			
Cpl V.Q. Nguyen	49.002	MBdr William MacKeigan	49.004	Cpl Ryan Steacy	50.009
		MATCH 14			
Pte D.R. Molina-Siple	47.005	Sgt Timothy Nault	48.003	Cpl Ryan Steacy	50.001
		MATCH 15			
Pte Connor Andrews	46.004	Cpl M. Kathron	47.004	Matt Kirkpatrick	50.004
		MATCH 16			
Cpl Chad Dion	47.006	MBdr William MacKeigan	49.003	Bdr Jean-Phillipe Joanis	49.006



MBdr Will MacKeigan (CAF/RCMP) and Cpl Ryan Steacy (Open) being chaired off the range

**NATIONAL SERVICE CONDITIONS CHAMPIONSHIP
SERVICE RIFLE MATCHES**

<u>CAF/TYRO</u>		<u>CAF/RCMP</u>		<u>OPEN</u>	
Cpl Dave Michaud	188.015	Cpl Baron Hordo	190.014	Cpl Ryan Steacy	198.030
DELIBERATE					
SNAP AGG					
Cpl Dave Michaud	180.013	Bdr Clyde Francis	190.008	Cpl Ryan Steacy	199.016
RAPID AGG					
Bdr Michael Aube	181.011	Capt Brennan MacLachlan	189.013	Cpl Ryan Steacy	195.020
FIRE & MOVE					
Cpl Chad Dion	184.013	Cpl J-C Boivin-Couillard	188.009	Cpl Nicholas Sheffroth	193.013
200 PHASE AGG					
Cpl Dave Michaud	188.015	Bdr Michael Aube	193.019	Capt Sean Gagnon	193.022
300 PHASE AGG					
Cpl Joey Tremblay	189.013	Cpl Nicholas Sheffroth	195.015	Cpl Ryan Steacy	196.023
400 PHASE AGG					
Cpl Sebastian Masse	181.009	Cpl Guillaume Merette	187.012	Cpl Ryan Steacy	199.023
500 PHASE AGG					
Cpl Chad Dion	178.009	Bdr Clyde Francis	184.007	Cpl Ryan Steacy	196.017
STAGE 1 AGG					
Cpl Joey Tremblay	717.046	Cpl Nicholas Sheffroth	732.041	Cpl Ryan Steacy	784.080
STAGE 2 AGG					
Cpl Joey Tremblay	184.012	Bdr Jean-Phillipe Joanis	189.011	MBdr William MacKeigan	193.012
TYRO CHAMP					
		Cpl Dave Michaud	702.43	Cpl Joey Tremblay	717.046

CANADIAN NATIONAL SERVICE CONDITIONS RIFLE CHAMPION

CAF/RCMP

MBdr William MacKeigan 909.056

OPEN

Cpl Ryan Steacy 974.094

CANADIAN NATIONAL THREE GUN CHAMPION

Keith Cunningham 1899.205

HIGH INDIVIDUAL

Cpl Ryan Steacy 585.057

SERVING COMMISSIONED OFFICER AGG

Capt Brennan MacLachlan 721.046

STAGE 1 TEAM

5 GBMC B

Bdr Michael Aube,
Cpl J-C Boivin-Couillard,
Cpl Joey Tremblay,
Cpl Guillaume Merette 2838.158

DOWN TO BUSINESS

Keith Cunningham
Aaron Grubin
Matt Kirkpatrick
Richard Poaps 2856.218

DES BURKE

Aaron Grubin

550 BADGE

Bdr Jean-Francois Doucet	550.053	Cpl Nicholas Sheffroth	551.053
Capt Sean Gagnon	554.045	Keith Cunningham	561.047
	Cpl Ryan Steacy	585.057	

750 BADGE

Cpl Ryan Steacy 784.080

IN MEMORIAM

JUDY A.K. BROWN

Judy Brown died on Wednesday October 8th after a short illness. She was in her 75th year. Born in Montreal, she attended Trafalgar School for Girls and then Acadia University and the University of New Brunswick. She worked for a while in health related fields before moving to Toronto and joining Gulf Oil Canada, where she worked as a programmer and project manager for many years. After retirement, she moved to the Lindsay area, providing a home for Newfoundland rescue dogs and becoming a potter of note, with one of her pieces being displayed at Queen's Park.

In the 1980s and early 1990s, Judy ran the computer stats at the DCRA Annual Matches, using equipment and software that were extremely 'basic' by today's standards. Her expertise, forthright wit, unmistakable laugh and conviviality were always welcome and generally appreciated. On one occasion, the screen display on the computer failed but she was able to enter all the scores for a complete match working entirely from her memory of the procedure – there were no errors! A very large gin and tonic, served up by a General, was her just reward!

Submitted by Jim Thompson

SHIRLEY BROWN

Shirley Brown, wife of Colin, was well known to many of the shooting fraternity. Colin and Shirley were married in 1952, and their first child, Charles, (Chuck) was born in 1953. Their older daughter, Susan, was born in 1957, followed by daughter Becky in 1959. It was always Shirley's claim that whenever there was a new baby to look after, Colin seemed to find a foreign service appointment that kept him overseas for some time. Shirley managed to accompany Colin on several overseas billets, however, including Holland, Belgium and England.

Born and raised in Ancaster, Ontario, she was the daughter of the Deputy Postmaster General for Hamilton, and a local school is named in honour of her father, Charles Bray.

Shirley knew Colin all through high school, and after their marriage and during his postings in Ottawa, she was employed by Carleton University. When Colin decided to build his own house in Ottawa, Shirley was there on most evenings and weekends to assist and help out wherever she was needed. She was a most loyal supporter of Colin in his many endeavours and was a keen advocate of his many shooting activities. Many of their friends commented on the fact that while most parents and grandparents post the art projects of their offspring on the front of the refrigerator, Shirley proudly fastened Colin's best targets in the place of honour.

Shirley passed away last year and her wonderful support and sense of humour are sorely missed by Colin and the others in the family. A wonderful gal and a true asset to her husband!

Submitted by Jim Thompson

PETER PAGE

Peter Page died on June 19 2014 at the age of 86. Peter had been dealing with the deficits of Parkinson's Disease for a few years and was very grateful to his wife Brenda that she was able to care for him at home until the end. He will be missed by Brenda and her family and by his daughter Gwyneth Jane Nelson (and John) and their children Rebecca, Megan, Peter and Emily and his many friends.

Peter will be remembered by the shooting fraternity for his many contributions to the sport, initially as a member of several Provincial and three Bisley teams and in later years as a very able Adjutant for the 1995 Palma team to New Zealand, the 1999 Palma team to South Africa and the 2000 Millennium team to Bisley. On each occasion he performed his duties well and was also a cheerful chauffeur on and off the Range. He also captained the 2003 Veterans Team to Bisley.

He was President of the Vancouver Island section of the BCRA for many years, organizing matches in Nanaimo and the excellent Butchart Team dinner at the end of each season.

Until about 8 years ago he was a regular competitor and frequent winner of the winter indoor postal .22 matches. Brenda was able to travel with Peter on some of his shooting travels to the U.S.A and to England where they developed many friendships which she will treasure in the future.

Respectfully submitted by Patricia Dahlstrom

IN MEMORIAM

RALPH CATHLINE

Ralph Cathline, one of our shooting legends, passed away on 5 November, 2014, a few days short of his 98th birthday.

Many older members will remember Ralph, who had been away from the game for a number of years pursuing other interests, many of which included his family, but he never lost contact with his friends within the game. Ralph game back to his shooting routes about fifteen years ago and made a point of attending as many ORA Championships, ORA or DCRA AGMs and special functions like the DCRA's MacDonald Stewart reception and dinner to keep in touch with his friends.

Ralph was very proud of what he'd accomplished within the game, which was plenty, especially during the 50's and 60's, that I'm afraid to admit I remember fondly as the golden era of the game, when DCRA entries to the Nationals exceeded 500 to 700 competitors. Names like Boa, Beckett, Burke, Hampton and Strachan would always rise to the top of the prize lists and Ralph Cathline was always included within that mix. He qualified for the Bisley team 13 times during this competitive period and made the trip on six occasions, whenever his CF schedule would permit.

He was a CF armorer by trade and rose to the rank of S/Sgt within the School of Infantry. He became known as one of the most respected and talented people to bed a .303, he was always in demand. His nickname became 'the Steady Sergeant', first noted in a newspaper article that hi-lighted his armouring and combined shooting skills. It should also be noted Ralph and Edson Warner represented Canada at the 1966 Jamaican Commonwealth Games, the first time Full-bore shooting was introduced.

Ralph was an inaugural inductee within the DCRA Shooting Hall of Fame and was inducted into the CF Sports Hall of Fame in 2002.

Submitted by Des Vamplew



RICHARD P. BEYER



Richard P. Beyer, long-time friend of the DCRA and regular past participant in its annual Black Powder Championship and NCRRA regional matches passed away on December 7th, 2014 in University Hospital, Syracuse, NY after a lengthy series of illnesses at age 73.

Rich, in addition to being a member of the US Long Range Thousand Yard Black Powder rifle team, was a founder of the L.C. Smith Arms Collectors Association, Skeet Chairman of the Pathfinder Rod & Gun Club and author of "The Hunter Arms Company" and "The L.C. Smith Gun Book".

Rich is survived by his wife, Suzy. His humour and dedication to many shooting sports will be missed.

Submitted by Chris Jones

IN MEMORIAM

MAJ (Ret'd) GEORGE HARPER



Major (Ret'd) George Ross Harper, one of our long standing members, passed peacefully away at the Perley Rideau Veterans Home in Ottawa on 19th February 2015 in his 79th year. He is survived by his loving wife Azul, who accompanied George to Bisley in 2010 when he was Commandant of the Canadian Team.

Born in New Glasgow, Nova Scotia, George completed high school in that province in 1956. During his high school years, he was a member of the cadets and the local militia, serving in the Pictou Highlanders. This exposure to cadets and militia service proved to be an introduction to a military career spanning over 40 years of service. In 1959, he began his time in the military as an LAC (Private) in the Canadian Air Force in the supply trade. In 1972, he was commissioned from the ranks to Lieutenant and assigned to the Logistics Classification. His service included 10 postings in Canada and one to Germany before his retirement from the Forces in 1993.

George's interest in shooting began as a young member of the Army Cadets in 1949. He attended the DCRA Matches in 1954 and qualified as a member of the 1955 Cadet Bisley Team. At Bisley in 1955, he was a shooting member of the winning Alexander Graham Bell Match Team. Subsequently, he attended Bisley as a member of five DCRA Teams, qualifying on two other occasions but not able to participate in those years because of his career commitments. 1972 was the last year he shot at Bisley. He was also a shooting member of the 1972 Palma (Gold) and 1973 Palma teams. Plagued with serious eye problems in 1989, George was compelled to retire from active shooting in 1992. He served as Adjutant for the Canadian Rifle Team for the Australia Match in 1992 and also as Adjutant for the Canadian F-Class Long Range Rifle Team in 2002. He returned to Bisley in 2005 as Adjutant with John Marshall as Commandant and then fulfilled one of his great ambitions by becoming Commandant of our Team in 2010. George served on the DCRA Executive and Council and was a committed Life Member of the Association. After retirement from the military, he remained in the Ottawa area where he enjoyed dedicating much of his spare time to the day to day activities of the National Capital Region Rifle Association (NCRRA). He especially enjoyed encouraging new members.

George's many National and International shooting accomplishments were acknowledged by his induction into the CF Military Hall of Fame, the Nova Scotia Sports Hall of Fame, the Pictou County Hall of Fame and his selection as an Honorary Life Member of NCRRA.

In late 2010, George suffered a massive stroke which left his left side paralyzed. He improved marginally but never regained his former functions. He had his ups and downs, but maintained his great sense of good humour, always welcoming visitors with jokes and banter. A celebration of George's life was held on Friday, 27th February, in Orléans, Ontario.

Submitted by Bill Molnar



800m Firing Point. Photo by George Wright

IN MEMORIAM

DR. C.D.A. (Clint) DAHLSTROM



Clint Dahlstrom died in Victoria, BC, on 16 January, 2015, after a long struggle with Alzheimer's Disease. He was in his 90th year.

He was born in Saskatchewan and from a relatively early age was engaged in country pursuits, especially hunting and marksmanship. He was a geologist by training, obtaining his BE and MSc from the University of Saskatchewan, and PhD from Princeton. He worked with Chevron for 35 years, in oil and mining exploration. He is described as an excellent instructor and mentor, passing on his knowledge of structural geology to others in the company. His work was of wider influence, with one of his papers from the Canadian Journal of Earth Sciences from 1969 still being required reading as part of a Field School in Applied Geology at the University of the Western Cape, South Africa, in 2011.

It is as the "quintessential rifleman", as Stan Frost describes him, that he will be remembered by members of the DCRA and by many other shooters around the world. He shot every discipline – air rifle, sporting rifle, smallbore prone and three-position, long-range smallbore, 300m free rifle, US High Power National Course, match rifle and target rifle – and he shot them all well. A partial list of his achievements is testimony to this: Canadian Team to World Championships, Cairo 1962; Silver and Bronze Medals in 50 m and 300 m Free Rifle at the 1963 Pan-Am Games; US National record of 400x40 in Smallbore prone 1976; the Armourers Medal in Match Rifle at Bisley in 2000. He qualified for the Canadian Bisley Team on 19 occasions, winning the Palma Aggregate at Bisley in 1991 and coming second in the Grand Aggregate in Canada twice; and was a member of six Canadian Palma Teams, winning one Silver and two Gold Medals.

Clint spent considerable time in the USA, especially during the winters following his retirement. He was a proud member of the San Francisco Olympic Club, which was formed in 1890 and is the oldest athletic club in continuous operation in the USA.

He was also an ardent and expert student of the technical aspects of sport shooting. He wrote a number of highly informative articles for the Canadian Marksman over the years, always following intensive investigation and sound reasoning. We hope to compile these and place them together on the DCRA web site in due course. He was always ready to offer advice and assistance to his fellow shooters, young and old. One of our (then) younger shooters described him as "the cool old dude with the white hair!" As Stan Frost comments: "He was a wonderful addition to every team, as a shooter, a coach and a gunsmith, and a delightful man to sit down and have a beer with". Sandy Peden adds: "He was such a gentle man and always shared his knowledge with us all. He seemed always to know what was what. Some of my favourite times were spent listening to him discuss some technical topic with someone and, after listening to the other person's opinion, Clint would pause and then say 'Well, that ain't necessarily so'. I always got a little chuckle then!" Ian Brown from the UK recalls: "My very fond memories of a really generous man – with his time, his expertise and even with an electronic timer of his that he gave me when he noticed I was taking too long - I still have it." And Alan Fitch from the UK speaks of Clint being "such a fountain of information. I still dig out the articles he wrote in the Marksman to read. He will be missed by all".

Clint's was a long life, lived to the full, and one for which the shooting world will be forever grateful. He was married twice, to Phyllis who died in 1987, and then to Patty, herself a well-known shooter. To the members of their families, and to his many friends around the world, we offer our profound sympathy and regrets.

Jim Thompson

IN MEMORIAM

Postscript.

In 1995, Roger Mullin, in the first of his series of Shooters' Profiles in the Canadian Marksman, wrote: "Clint is quite the spinner of yarns as you will see when he replies to the question, 'What is your most valued shooting achievement and why?' He has a relaxed and comfortable manner of speech which instantly puts the listener at his ease and he has patience galore when explaining or investigating something. It's also hard to get him angry."

We reprint this long excerpt here since in so many ways it sums up Clint's approach to life. You can hear him talking as you read these words!

In Clint's words: *"It is hard to choose between the Bronze Medal in 300m in the 1963 PanAms, the Palma Aggregate win at Bisley in 1991 and a recent win in the 30m kneeling crossbow event at the Swiss Rifle Club in Burnaby, BC. The Swiss Match (Thanksgiving weekend) is open to all comers – 10 shots for record at 300m (fullbore), 10 shots at 50m (smallbore), both prone, 10 shots standard pistol at 50m and 10 shots kneeling crossbow at 30m. There are prizes for each event and the aggregate winner is the Schuetzen Koenig for the year. The facility is beautiful (a Swiss chalet nestled in the British Columbia mountains), the hospitality is outstanding and the food and drink excellent. It takes two days to shoot 40 shots on score if one is to properly appreciate all the nice things in fellowship that go with the event.*

Anyway, back to the crossbow. The crossbow is heavy, nearly 20lbs, but it is a free rifle in all respects – hook, adjustable butt, light trigger, match sights – except for the bow and the bolt it shoots. The crossbow is fired from the kneeling position with a cushion under the instep and one between the boot heel and the backside. For kneeling this is remarkably comfortable so one is inclined to think that this is going to be an easy go. Two problems appear shortly – the fore-end is short on account of bow placement, so a Swiss crossbow shooter sits up very straight in a balanced position rather than comfortably slumping into a prone position off the knee the way smallbore shooters do. The second problem is the sight radius – it is short – maybe 24 inches. Seeing the aperture and the bullseye sharply is a job for young eyes capable of accommodation. For old, fixed-focus eyeballs there is a problem. My fullbore rifle has a 12 inch sight extension for a 45 inch sight radius, a dioptre with focussing option and an adjustable iris, as well as a box full of inserts for the front sight – and I still complain how hard it is to see.

Now, the crossbow is universal club equipment – one size aperture up front – a small one at that – and a non-adjustable rear aperture – quite large naturally, and this very short sight radius. My first look through the sight is disconcerting because I've brought my non-adjustable glasses for prone shooting and the rim keeps obliterating the rear aperture. Maybe this isn't going to be such fun after all! My coach and I start adjusting hooks and butt and anything else that moves and pretty soon I can see through the sights. What a revolting picture – the bullseye is a grey, wispy blob and the aperture a crudely elliptical string of grey rope. This is definitely not good. I failed to mention that crossbows are accurate – very accurate – about as accurate at 30m as a match rifle at 50m. There is a trajectory problem though – the bolt moves through a substantial arc, so one cannot cant. There is a bubble prominent in the sight picture, which has to be level. I can't see the bull or the aperture, but I sure can see the bubble, and it is a slithery devil, skittering off to the side without any provocation.

Anyway I've used about all the procrastination time that's available to me on getting organised and now it's time to do the best I can. My coach cocks the bow, I get it up into position (with my finger off the trigger because the coach puts the arrow into the barrel groove and he doesn't want to get his fingers whopped with the bow string). This reminder prompts me to be sure that the fingers on my left hand out there on the fore-end are out of the way because I don't want to get them whacked either! Look through the sights – what an ugly picture – level that blasted bubble and touch the trigger. No shot – just a twang and after a short interval a thump as the bolt (arrow) thumps into the target. Behind the paper target there is a lead plate and when the bolt thuds into the lead it screws itself into the lead plate and punches a clean, wad-cutter style hole in the paper target. Very impressive – I'd hate to be shot with one of those bolts. The coach touches a button and the motor rolls the target into the shooting house. As it gets closer, I can see that it is not too bad at all – an eight out to the side. The coach winds over a few clicks, sends the target back, cocks the bow, I get into position (with

IN MEMORIAM

my finger off the trigger), he puts the bolt in place and I start trying to centre that furry ball inside that lop-sided aperture while that doggone bubble is trying to sneak out the upper end of the tube. What a rotten picture, but it's not going to improve – shoot it! There's a twang and a thud and when the target comes back, it's a nine. A few more clicks and the next shot is a ten. OK, that's as good as it gets, let's go for record.

On the first 5-shot card the sight picture fuzzes, the bubble slithers but the crossbow seems to hold not too bad. There is a nine and then another nine and an eight when I help the trigger a little and then two tens. The coach is starting to grin and I'm trying to figure out how a picture like that can get 9's and 10's at all. On the next card there's a 10, then another and another. The coach is getting excited – he started smiling on the 2nd ten on the first card – and by the third ten on the second card he's chuckling and when the fifth shot is a ten for a fifty, he's laughing out loud and me too. Third time in my life I've shot a crossbow – the worst sight picture I've ever seen – I win the crossbow event from a bunch of Swiss crossbow enthusiasts. Fantastic!

I value this win because it reminds me that one must do one's very best even in the most hopeless of situations. 'It's never over 'til it's over' or until the fat lady sings. Until then one must hang in there the best way one can and, when you do, something good may happen and, if not, well, you did your best!"



CANADIAN RIFLE TEAM TO BISLEY 2015 - UPDATE

Whilst we are all looking forward to Bisley in July, the visit of this year's Team is tinged with sadness, since this is the first time in many years that Mrs. Liliane Stewart will not be our Honorary Commandant. We will do our best to make sure that our performance is a tribute to her memory.

The membership of the Team is listed in the International Teams section of the DCRA web site. There may yet be some changes before publication of the Marksman, so please refer to the site for the latest information. We have a fine blend of the young and not-so-young, with new team members mixed with seasoned veterans. The TR Team is nearly of the usual size, just a little diminished by the call of the World Championships and Palma Match at Camp Perry right after Bisley. There is one F Class individual, and we look forward to a number of spouses, partners and friends. The Pavilion will be a busy and cheerful place in July!

The Team will start to gather at Bisley around 1st July, with the first match being the traditional opener against the North London Rifle Club on Friday 3rd. Over the weekend, groups will travel away from Bisley, to the North for the friendly encounters at Huddersfield and Altcar, and to Wales and the South West. Due to range problems, the latter match has not been held in the Principality for a couple of years, but this year, thanks to the efforts of the Welsh RA it should take place. It may however, be fired in Somerset rather than across the border.

In the following week, there will be the usual shoulder-to-shoulder matches with the British Commonwealth Club, the Royal Air Force and the Barbarians, as well as the traditional encounter with the Sussex Home Guard, the latter concurrent with Queen's I.

The TR Grand Aggregate commences on Saturday 11th July, concluding on Thursday 16th. The Kolapore and Mackinnon Team matches are on the 17th and 18th. It all finishes with the Queen's Prize Final on the 18th and our final Team Dinner on Sunday 19th.

Planning for the Team is well underway through the combined efforts of the Team Officers and with the absolutely invaluable work of Kathy Corcoran in the DCRA Office. The exchange rate of the Canadian dollar versus the British pound is causing a little concern, since our costs in the UK will be higher as a result. Donations in support of the Team would be most appreciated and made through the DCRA Office. Thank you all in advance!

We anticipate posting daily news on the web site in the form of a 'blog' during the Bisley Meeting, and there will, of course, be a full report in the next issue of the Marksman.

Jim Thompson

Commandant

COLIN BROWN NAMED TO LEGION OF HONOUR



The Dominion of Canada Rifle Association would like to congratulate Major (ret'd) Colin Brown, the DCRA's senior Life Governor, who has been awarded the rank of Knight of the French National Order of the Legion of Honour.

The distinction is the highest national order of France and denotes the French Government's gratitude for Colin's involvement in the liberation of the country in 1944-45.

INTERNATIONAL TEAMS

The International Teams section of the DCRA web site is regularly updated. Members are urged to refer to the site for the most recent information on Canadian Teams.

Future Events

Bisley July 2015

Jim Thompson and Anna Paton have been appointed as Commandant and Adjutant respectively. Please see the update elsewhere in this issue.

Barbados May 2015

An invitation has been received from the Barbados Rifle Association for a Canadian Team to take part in the International Meeting in May, Paul Archer is assembling a group to attend. Please see the notice on the DCRA web site.

ICFRA World Long Range Championships, Camp Perry, Ohio

The overall arrangements for the Canadian Teams are in the hands of Peter Westlake, Palma Team Captain, and Gary Bowman, Adjutant. Roger Mullin and Alix Voorthuysen will lead the Canadian Veterans and under 25 Teams respectively. Please see the update elsewhere in this issue.

Connaught August 2015

Thanks to the participation of teams from Great Britain and the USA, an International F Class Team Match will be held at the same time as the Lum Trophy Team Match. Please see the FCNC schedule and programme for details.

Bisley 2016

Steven Spinney and Patrick Vamplew have been appointed as Commandant and Adjutant respectively.

F Class World Championships, Connaught 2017

Eric Bisson has been appointed as Captain of the Canadian Team for these F Class World Championships; Scott Bissett has accepted the position of FCWC Match Director; Kenny Proulx is the DCRA F Class representative to ICFRA; Matt Wolf is Chairman of the DCRA F Class Sub-Committee.

The Canadian and DCRA 150th Anniversaries in 2017 and 2018. Planning for special events is starting. Suggestions will be most welcome, as will be volunteers to assist in the programme. The coordinators are Scott McGinnis and Scott Bissett.

Commonwealth Games, Gold Coast, Australia, 2018.

The dates of the Games are 4 – 15 April 2018. The shooting events will be conducted on the Belmont Range, Brisbane. Please see details of the Canadian Fullbore Selection Trials elsewhere in this issue.

ICFRA World Long Range Championships, Trentham Range, Wellington, New Zealand, 2019

Information received from ICFRA and NRA-NZ indicates that the New Zealand Championships will start on 26 January, with the Palma Match being concluded on 10 February, 2019. Lead-up events will be held from 27 January to 4 February 2018. Please see below for the upcoming nomination and selection procedures for the Canadian Team Captain.

Nominations for Team Officers

During this coming winter, nominations will be sought for the following positions (this has also been posted on the DCRA web site):

- Captains of the Canadian Teams at the 2015 Canadian Championships, to be voted on by DCRA Council on the Sunday following the AGM in March, 2015:

INTERNATIONAL TEAMS

- o Commonwealth Match
- o Canada Match
- o Under 25 Matches in the CFRC
- o International F Class Matches at the FCNC

Commandant and Adjutant of the Canadian Rifle team to Bisley, 2017. Nominations for these have been called for and will close on 15th March 2015. Any full member of the DCRA is eligible for nomination, but nomination forms must be signed by two members of Council. Forms may be obtained from the DCRA Office. The DCRA Executive Committee will review the nominations at its meeting on the Sunday following the 2015 AGM. A postal vote by members of Council will be held if required.

Captain of the Official Canadian Teams (Palma, Veterans and Under 25) for the World Long Range Championships to be held in New Zealand in 2019. Some details are on the ICFRA web site. Nominations will close on **31st July 2015**. Any full member of the DCRA is eligible for nomination, but nomination forms must be signed by two members of Council. Forms may be obtained from the DCRA Office. The DCRA Executive Committee will review the nominations at its meeting on the Friday at the start of the CFRC. A postal vote by members of Council will be held if required.

Appointments will be posted on the web site as soon as possible.

I am always happy to receive information about our international activities and will report on them in future issues.

Jim Thompson



COMMONWEALTH GAMES

In late July, early August Jim Paton, BC and Des Vamplew, ON travelled to Glasgow, Scotland for the Fullbore Shooting events in the XX Commonwealth Games. The 18 shooting events were held just outside of Dundee, Scotland at the Barry Buddon military training facility. The Barry Buddon 1000yd ranges also hosted the 1986 Edinburgh Games. Added to the 1000yd range were temporary 50m, 10m, 25m and trap/skeet ranges. The 1000yd range had 18 firing points. Due to arc constrictions the short ranges were shot on the left side of the range and the long ranges used the right side of the range. The range faced due east so winds blew in from behind (off the land) with headwinds from the sea.

Fullbore shooting in the Commonwealth Games has two events; **pairs**, a **coached event** where two competitors from the same country shoot the Queen's II & III stages and **individual**, comprised of the Queen's I, II & II. In DCRA terms, in pairs each team member shoots the President's and Governor General's Matches with the aggregate score being 600 points (300pts for each shooter) and the individual event is similar to the Letson, President's and Governor General's Matches. The total number of points possible in all three stages is 405.

Day 3 of the Games saw the pairs event begin. Jim and Des coached each other at the short ranges. Both shot quite well and they scored 199/200. At this juncture of the competition 10 teams were in contention for a medal. Fog delayed the 600m range so the jury decided to start early the next day to get all three ranges completed on time. Day 4 of competition was the Queen's III or long ranges plus the 600m of Queen's II. Jim and Des dropped only one point at 600m and 900yd. Fog prevailed again. Then

the rain arrived! As the day was coming to an end the fog lifted and the jury decided to complete the 1000yd range. The first relay got soaking wet. Jim and Des got the wet weather gear out and prepared for the worst. As the second relay began suddenly the rain slowed down and by the time shooting began the clouds began to break up. With the flags soaked, no mirage to speak of, the second relay was away. There were 7 or 8 teams now in contention! Most teams fired very quickly and made some critical errors. Patience seemed to be the way to go! The sight picture was obscured by poor light so cross firing was always a possibility. There was a gasp in the crowd. One of the leading teams had cross fired. Then another! A buzz was now in the crowd. Time was running out but Jim and Des kept on delivering bulls eyes! As the two finished their competition it seemed everyone had eyes on the Canadian pair. Alan Mabon (CRO) announced medalists; GOLD to England (Luckman/Patel) - 595.77 (new games record), **SILVER to Canada (Paton/Vamplew) - 592.54** and BRONZE to Scotland (Shaw/McLeod) - 590.65. A wild cheer from the crowd, as many had travelled from southern GB to support their team and Canada had its first medal since 1998!

Days 5, 6 and 7 were used for the individual event. Two relays were established for the 36 competitors. As in the pairs event, ICFRA targets were used for all distances. Temperatures began to rise into the 20's. As the temperatures rose, so did the winds! Jim started Queen's I with a super 104. Des had some elevation problems but still managed a 100. Queen's II was highly contested as Jim had a 150 and Des a fine 147. The long awaited long ranges for Queen's III began on Day 7. Winds were now from behind, moving from 7 to 5 o'clock at 12-16mph onto

the sea. Jim started with a solid 74 at 900yds while Des filed in with a 71. As the afternoon wore on the winds increased in velocity. Many spectators lined up behind the firing point so they could catch a glimpse of the competitors' large scoreboards. Des fired on relay 1. The quick angle changes over and back from zero wind were very difficult to read. Jim was on the 2nd relay with the other top 17 competitors. Jim fired very deliberately, trying to keep up with the quick wind changes. Shooting very quickly 2 targets to his right was Dave Luckman (England). Both kept shooting bulls eyes! Just over half way through the time limit, Luckman had completed his competition. There was a roar from the crowd! He had fired a 74 out of 75! Jim finished with a fine 69 and only one other competitor had broken 70! Alan Mabon then announced "the winner of the GOLD MEDAL, David Luckman, England with a score of 401.42v's; the winner of the SILVER MEDAL, **Jim Paton, Canada with a score of 397.36**; and, the winner of the BRONZE MEDAL, Parag Patel, England with a score of 394.35"! Des Vamplew (Canada) was 27th with a score of 371.27.

Congratulations to both Jim and Des for their fine performances in Glasgow. The two worked very well together throughout the two years of training. The preparation and professional demeanour the two brought to Games was a delight to witness.

The next Commonwealth Games will be held in Gold Coast, Australia. Shooting will take place at the Belmont Complex in Brisbane, home of the 2011 World Long Range Shooting Championships. Qualification for this event will be published shortly.

Pat Vamplew

2014 CANADIAN RIFLE TEAM TO BISLEY

I would like to thank the Executive of the DCRA and the Council for allowing me to accept the position of Vice Commandant of the 2014 Canadian Bisley Team. It was a great honour to be asked by the Team Commandant Ray Romses to be his Vice Commandant and also to have my good friend Murray Sloane as our Adjutant. I don't think we could have had a better management team.

On a very hot afternoon we did not produce our best and because of the heat the 1000 yd. was reduced from 2-15 to 2-10. We lost the match to the Presidents Team but beat the Chairman's Team.

On Saturday 6 members, Serge Bissonnette, Scott Murray, Jim Paton, Murray Sloane, Gary Cassidy and Tom Maynard travelled north to Huddersfield at Brockholes then a short trip on Sunday to Deer Hill range, where unfortunately they lost. They were unable to travel to Altcar as the range was being used by the military. The Team was entertained as usual by the hospitable Huddersfield Rifle club. On Sunday, The Manchester Rifle club hosted the team were wined and dined by Sally and Anton Aspin who are the most congenial of hosts.

The Wales trip had to be cancelled yet again as the range was restricted by the military. We did re-arrange a match with the Welsh and more about that later.

We entered the BCRC match on Tuesday evening and introduced 4 new caps to Bisley, it poured at times. We came 3rd out of six teams and produced some good scores considering the conditions. The coaches had a good workout and after the match enjoyed a good BBQ at the BCRC club house.

Wednesday we entered an 8 man in the RAF match held at Pirbright range.

The team produced some good scores and we ended up winning the Bullet from the RAF and ended up 3rd overall. I would commend the coaches for a good days work considering there were only 2 small wind flags to work with and a mirage that sometimes decided to appear.

Thursday we had the team photo-

graph at 1100hrs. That afternoon we had the match at 900,1000, against the Barbarians and they kindly agreed to let the Welsh shoot alongside us so we could complete the annual match. We won both matches and again I thank the coaches for their valiant endeavors. That evening Julia, Gary and the staff outdid themselves and produced a fabulous BBQ.

Friday kicked off with the Century, at 5,600yds. The match was won with a score of 100.17. Geoff Woodman was top Canadian in 5th place with 100.16 and was followed by Ray Smeltzer with 100.14. Ken Ferguson excelled winning the FTR with a score of 147.18

The Hutton 900yds was won with a score of 50.9 and Gerry Wiens kept the flag flying for Canada by winning the FTR with 73.7. The Team attended the NRA reception in the evening.

Saturday gave us really tricky winds and a sunny day. Wendy Reid kept us in the limelight winning the FTR with 74.5

The Telegraph 500yds was won with a 75.15 and Frank Lalear in 14th place scored a 75.13 and Bruce MacDonald scored 75.11. Geoff Woodman and Murray Sloane both shot 75.10.

Ken Ferguson was 2nd in FTR followed by Wendy Reid 3rd and Gerry Wiens 4th.

The Lovell at 1000 yds was won with a 50.9. Andy Webber won the FTR with 70.2 followed by Wendy Reid in 2nd. Well done to all for a good days shooting. Bisley now knows the Canadians are here.

Sunday was at least a good weather day as far as sunshine but the winds messed up the shooters.

The Alexandra, shot at 600, was eventually resolved by a tie shoot between 2 competitors with scores of 50-10. Canada had high scores of 50-9 from George Wright and Geoff Woodman with 50-8. In the "next best" scores list Barry Langille had a 50-5, gets an HPS cross but no medal. In the Alexandra FTR class, Ken Ferguson came 2nd with 74-9 and Canadian shooters filled 4,5,6th positions. In FTR, Gerry Wiens was 3rd and Ca-

nadians also filled 4,5,6th places.

The Duke Of Cambridge, shot at 900, was won with a 50-10 and Ron Dawson was 30th with a 50-5. Wendy Reid won the FTR with a 75-8, Andy Webber 2nd with a 73-9 and Ken Ferguson with a 72-3 was 3rd.

After a frustrating day for most, Jim Paton, Barry Langille and Geoff Woodman were placed high on the Grand Aggregate leader board on Sunday night.

We held the Canadian reception in the evening and we had probably over 230 people filling the house. I would like to thank the Canadian Cadet team and Team Captain Arleen Miller for helping out serving food and talking to our guest's. We eventually got everyone out by 2230 and the house was restored to its original state.

Monday the weather was good but with a fickle wind constantly changing.

The Times was won with a 50-10. In the "next best" score category we saw Bruce MacDonald and Jim Paton scoring 50-6 and Ron Dawson 50-5.

Gerry Wiens won the FTR with 75-10, Ken Ferguson was 3rd with 75-7 and Andy Webber 4th with 74-4. The Corporation was won with a 50-7 fired in the 1st detail.

Tuesday gave us the Georges 1st stage. The winner shot a 75-15.

In 6th place was Jim Paton with a 75-14. The following Canadians also qualified for the 2nd Stage where the cut off was 73-9. Paul Dudinski, Ron Dawson, Ray Smeltzer, Jeff Jenkins, Geoff Woodman, Bruce MacDonald, Al Katona and Alix Voorthuyzen, A good day for us all.

In the FTR St. Georges, Ken Ferguson, Andy Webber and Gerry Wiens qualified for the 2nd Stage. The FTR Team must be congratulated for their fine efforts in keeping Canada's name upfront in the FTR matches.

Wednesday was Queens 1 2-7 at 3,5,600 and the Conan Doyle 2-10 at 900. The weather again was sunny and lighter variable winds that were readable but had to be carefully watched as strength and direction changed quickly.

2014 CANADIAN RIFLE TEAM TO BISLEY

The Queens 1 was won with a score of 105-19. The cut off score for the 2nd stage was 102-12.

Smeltzer 105-14, Bissonnette 105-14, Wright 104-16, Paton 104-15, Dudinski 104-14, Woodman 104-12, Grant 104-13, MacDonald 103-12, Murray, 103-10, Dobell 103-10, Cassidy 103-12 proceeded to the 2nd stage Andy Webber 101-7 and Gerry Wiens 101-6 qualified for the FTR Queens Final.

Thank you to Carol Romses, Anna Paton and Sandy Dudzinski who hosted a well attended Ladies Sherry party. My thanks to Carol and Anna for writing out all the invitations to the Team reception and the Ladies Sherry Party and then delivering them all.

The Conan Doyle had 6 ties with scores of 50-9. Jim Paton did not win the tie shoot.

On Thursday we shot the first of the Team matches and came 3rd in the Overseas behind winners Australia 1233-151, Jersey 1227-143 and we had 1226-133.

Straight after the Overseas, the brave, in very hot weather, fought the wind and shot the Georges 2nd stage. Jim Paton, Serge Bissonnette, Bruce MacDonald, George Wright and Dan Chisholm all got through to the Georges Final.

The Prince of Wales, shot at 600 was won by a 75-12. Scott Murray 75-11, Roger Mullin 75-11 and Jim Paton 75-11 did well for Canada. The POW for FTR had Ken Ferguson 2nd, Wendy Reid 3rd and Gerry Wiens 4th.

On Thursday afternoon the Canadian FTR team with 536-28, did well to beat the UK team, 535-23. Bruce MacDonald did well coaching the team. Well done!!

Paul Kent from UK won the TR Grand Agg. and Jim Paton finished a creditable 6th. Ken Ferguson won the FTR Grand with Andy Webber 2nd and Gerry Wiens 4th. again a great effort from the FTR Team.

In the FTR Conan Doyle Wendy Reid was 3rd followed by Andy Webber 4th, Ken Ferguson 5th and Bill Watts 6th.

Friday morning we shot the Kolapore in trying conditions, hot and rapidly changing winds. We placed 5th. It

was a good team effort and the coaches did really well with the difficult conditions.

The Queens 2 was shot in hot, humid and sticky conditions. Jim Paton, Bruce MacDonald and Geoff Woodman all qualified for the final. The cut off was 146.17.

FTR held their Georges final and Gerry Wiens came 1st. Later they shot the FTR Queens final and Andy Webber came 2nd and Gerry Wiens 3rd. The FTR Team competed admirably and their shooting achievements made me proud.

On Saturday morning the Georges final was shot and Jimmy Paton was 25th, a tremendous effort. Bruce MacDonald was 34th, Dan Chisholm 44th, George Wright 46th and Serge Bissonnette 80th, commendable efforts to start the day.

After the Georges we shot the MacKinnon. Team of 12 at 900 and 1000. The team shot great at 900 and we were only 3 behind England. The 1000 bug hit us and we did not fair too well. The coaches tried hard to right the ship but groups opened up and we went backwards. In the end England won with a score of 1188-149 to Scotland 1175-129 and Wales 1167-130. We slipped to 6th with 1153-117. Jim Paton shot 100-9 for us.

In the Queens final, Jim Paton did well and placed 5th only 2 points behind the winner Richard Jeens from Wales.

The Team attended prize giving and highlight for us was Jim Paton receiving the trophy for winning the prestigious British Open Target Rifle Champi-

onship.

Just before the Queens prize winner arrived at the house, Commandant Ray Romses presented the Gerry Ouellette trophy to MWO Thomas Moeller who shot extremely well throughout the week and was the top under 25 Canadian in the Grand Aggregate.

The Queens prize winner duly arrived looking remarkably good and received by Ray and collected the Stetson and cigarette in style. Richard came out and fired the first of 6 shots from the cannon. Alan Fitch brought his little cannon along and this was fired twice, much to the delight of the crowd. I would like to thank Alan Bell from Fultons and Ian Robertson from the NRA, for overseeing the firing of the cannons.

Sunday was a day of rest and packing and we saw Jim Paton depart for Glasgow to participate in the Commonwealth Games shooting.

On Sunday night we held our Team Dinner and had the honour of having Brigadier General Matthew Overton, Commander and Defense Advisor, Defense Liaison Staff at Canadian Forces and his wife Sharon Overton as guests of honour as well as their driver Brian

Again I would like to thank all the Team members for making it such a memorable trip for me. It was a privilege to have been able to serve you in the capacity of Vice Commandant.

*John Chapman
Vice-Commandant*



2015 PALMA TEAM UPDATE

I am pleased to announce that the team selection for the 2015 Canadian Palma Team has now been made. All team members and the 3 reserves have been contacted and, with the exception of one member, all are now aware.

The Adjutant, Gary Bowman, and I have prepared the first information package to go out to the team, which was circulated in October. We have been providing updates on the planning via email as information becomes available. The NRA has been providing excellent updates and we have been liaising with the Match Director, Sheri Judd, on a regular basis.

The team list is as follows:

Captain: Peter Westlake
Adjutant: Gary Bowman
Non-Firing Armourer: Steven Spinney

Shooters:			
Gary Bendik	Antony Betts	Bruce Bullock	Daniel Chisholm
Justin Hearn	Ian Hogg	Steve Hunt	Alain Marion
Fazal Mohideen	Don Pitcairn	Robert Pitcairn	Nicole Rossignol
Gale Stewart	Mirko Teglassi	Paul Tremblay	Des Vamplew
Pat Vamplew	Tom Walters	Shannon Westlake	Mike Wong Shui
Geoff Woodman	George Wright	Roger Romses	

Reserves:
Faisal Rahman Oleg Koutchine

Roger Mullin and Alix Voorthuyzen have also made their selections for the Veteran's and Under 25 teams respectively and they shall be publishing their information at their discretion. All World Long Range Championship teams (Palma, Veteran's, Under 25 and possibly Under 21) shall be working together to coordinate logistical and administrative details in order to make this a very successful and smooth tour.

*Peter Westlake
Team Captain*



KELLEY SIGHTS

Quality - Accuracy - Precision

Black Powder Cartridge
Gun Sights

ACCURACY *BEAUTY*

KELLEYSIGHTS.COM

PRA SIERRA RESULTS

British Columbia

The 2014 BC Sierra ISSF Championship was hosted on June 7 and 8 by the Mission & District Rod & Gun Club with this years' event attracting 29 competitors. The course of fire was five relays of 15 shots over two days on the 300 yard ICFRA dimension targets with a maximum possible score of 375 – 75v. Some very fine scores were fired this year.

The Winners were:

Target Rifle	Ken Nelson (372 - 41v)
F-Class (F-TR)	Paul Reibin (365 - 36v)
F-Class (Open)	Marshal Ambrose (373 - 47v)

The complete match results can be viewed on the British Columbia Rifle Association website; www.bcrifle.org. ***The BCRA and our competitors would like to thank Sierra for their continued and generous support.***
Brian Mylleville
Sierra ISSF Match Director

DCRA AFFILIATION WINNERS

TARGET RIFLE

Robert Pitcairn

F-CLASS OPEN

Marshall Ambrose

F-CLASS F/TR

Bryan Mylleville

Aggregates Scores Matches 1-10
Long Range Aggregate

BCRA TARGET RIFLE CHAMPIONSHIP

Robert Pitcairn
Robert Pitcairn



The BCRA Sierra Match Participants

PRA SIERRA RESULTS

MAY 31, 2014 - SIERRA "BULLET" MATCH - ST. ANTOINE - NEW BRUNSWICK

The SIERRA "BULLET" MATCH was held in St. Antoine with a good crowd of 20 shooters competing in 4 classes. This match is traditionally one of the best attended of the season.

We were treated to wonderful weather - sunny all day with only a hint of cloud on the horizon at the end of the match. Those who did not get touched by the sun went home with wind-burns due to a steady 20-30 kph wind blowing downrange off the Northumberland Strait which also kept temperatures on the cool side. Winds were tricky at times as this tail-wind would switch back and forth with flags pointing in different directions at the same time. The F-Class shooters mastered the quickly changing mirage but it caused problems with the TR folks.

A big thanks to the Sierra Bullets who have been the prize sponsors of this match for many years.

Thanks also to several people for making this match possible. Ron Surette was the Match Director and did an excellent job of organizing this match, his daughter, Michelle Cormier, was the statistician. Daniel Chisholm, with several helpers, set up the electronic scoring system which worked beautifully and thanks also to the numerous volunteers who helped set up and take down the range.

RESULTS:

F/TR CLASS

Paul Bastarache	593 (on count back)
Francis Bezeau	593
Gordon Holloway	590
Conrad Leroux	589
Harrison Brown	580
John Holleran	575
Maurice Bennett	573

TR CLASS

Daniel Chisholm	567
Don Coleman	564
Michael Lutes	556
Ron Surette	551
Michelle Cormier	545
Mark McMullin	541

Ken Geddes	523
Edgar Poirier	522

F/O CLASS

Bert deVink	596
JC Gautreau	589

BR CLASS

George Cook	591
Brian Pettipas	586
Tom Nowlan	535





THE DOMINION OF CANADA RIFLE ASSOCIATION

45 Shirley Boulevard, Ottawa, ON K2K 2W6

Telephone: (613) 829-8281

FAX: (613) 829-0099

e-mail: office@dcra.ca

<http://www.dcra.ca>

DCRA BLACK POWDER NATIONAL CHAMPIONSHIP 2015 INDIVIDUAL ENTRY FORM

PLEASE READ THESE NOTES CAREFULLY (Our form has changed since 2014)

1. This form must be completed in all applicable sections and signed by the competitor.
2. DCRA Membership is compulsory for all participants.
3. Payment must be made by Money Order or Cheque (Cdn Dollars drawn in favour of the Dominion of Canada Rifle Association) or with Visa, Master Card or American Express (AMEX) with addition of a 4% cost recovery charge.
4. Payment may not be "post-dated" beyond 14 June 2015.
5. **Entries postmarked after 14 June will be subject to a late entry surcharge of \$100.00.**
6. **Late entrants may be denied accommodation and/or the opportunity to compete since space may be limited.**
7. Entries that are withdrawn will be charged as follows:
 - a. 50% of total fee if the notification of withdrawal is received by the DCRA office after 4 PM on 07 July 2015; and
 - b. **No refund will be given for a withdrawal after 02 August, 2015.**
8. Your Canadian Firearms Licence or Non-Resident Firearms Declaration must be presented when picking up squadding tickets.
9. The Black Powder Program is available online at www.dcra.ca and a booklet will be included with each competitor package to be picked up during registration.

PERSONAL INFORMATION (Please use BLOCK CAPITAL LETTERS)

SURNAME:		FIRST NAME			
ADDRESS:			CITY:		
PROV/STATE:	POSTAL/ZIP CODE		COUNTRY:		
HOME PHONE:	ALTERNATE PHONE:		E-MAIL:		
DATE OF BIRTH: (dd/mm/year) ____/____/____		Male <input type="checkbox"/>		Female <input type="checkbox"/>	
Age on 01 Sep 2015:	Under 19 (J) <input type="checkbox"/>	19-24 (M) <input type="checkbox"/>	25-64 (X) <input type="checkbox"/>	65+(O) <input type="checkbox"/>	

COMPETITOR CLASSIFICATION

Cartridge Rifle <input type="checkbox"/>	Muzzleloading Rifle <input type="checkbox"/>	Scoped Rifle <input type="checkbox"/>
--	--	---------------------------------------

CITIZENSHIP: Rule 1.01(5): "Canadian means a Canadian citizen, a member of the Canadian Armed Forces, or a landed immigrant who has been a resident of Canada for at least one year prior to the first day of the Meeting."

Cdn under Rule 1.01(5) (A). <input type="checkbox"/>	Non-Canadian (X) <input type="checkbox"/>
--	---

DCRA Membership	Membership Type	Cost	Pre-paid	Enclosed	Total
(Compulsory for all competitors. Indicate category and if prepaid or enclosed.)	Life Member - please pay for insurance	\$ 20.00	<input type="checkbox"/>	<input type="checkbox"/>	\$ _____
	Annual Full (over 25 on 01 April 2015)	\$ 130.00	<input type="checkbox"/>	<input type="checkbox"/>	\$ _____
	Annual Under 25 (under 25 on 01 April 2015)	\$ 90.00	<input type="checkbox"/>	<input type="checkbox"/>	\$ _____
	Associate/Non-Canadian	\$ 55.00	<input type="checkbox"/>	<input type="checkbox"/>	\$ _____
	Membership Total.....	(Carry amount forward to Line B of Summary)			\$ _____

PRA Membership	Member of _____ PRA	Paid <input type="checkbox"/>	Not Paid <input type="checkbox"/>
	Category: Life <input type="checkbox"/>	Annual Full <input type="checkbox"/>	Annual Under 25 <input type="checkbox"/>

MEET AND GREET	
_____ # of Meet and Greet Tickets @ \$15.00 each: (Carry amount forward to Line D of Summary)	\$ _____
The Meet & Greet will be on Saturday, 15 August 2015 and will consist of hors-d'oeuvres only. Tickets may be purchased on arrival, however, please help with our planning by indicating, on this form, your intention to attend.	Vegetarian hors-d'oeuvres required: <input type="checkbox"/>

RATIONS AND QUARTERS IN CONNAUGHT	
Arrival Date _____/_____/_____	Departure Date _____/_____/_____
_____ # of nights @ \$45.00 per night for military quarters (includes 3 meals per day): (Carry forward to Line C of Summary)	\$ _____
Share double occupancy room with: (No mixed company in military quarters) _____	
Notes: <ol style="list-style-type: none"> 1. The DCRA will provide a combination lock for each room. If you plan on using your own lock, please be prepared to leave a key with the office for use by your room mate. 2. For those competitors who are not in quarters, cash lunch WILL NOT be available in the dining hall. 3. Connaught no longer has camping spaces. Hence tent-trailers, RVs, caravans, 5th wheels or private tents WILL NOT be permitted. Competitors wishing to stay in this type of accommodation must use off-site facilities. The nearest to Connaught is the Campsite on Corkstown Road (613-828-6632) and online at camp@wesleycloverparks.com. Early reservation is recommended. 4. Limited military modular tentage is available onsite. For details contact the office. 5. Mention "DCRA" at the Comfort Inn at 222 Hearst Way, in Kanata and receive a special low rate for participants in DCRA sponsored matches. www.comfortinnkanata.com Phone 613-592-2200 	

BLACK POWDER AWARDS LUNCHEON	
_____ # of BP Luncheon Tickets @ \$20.00 each: (Carry amount forward to Line E on Page 2 below)	\$ _____

DCRA BLACK POWDER CHAMPIONSHIP SERVICES AND PAYMENT SUMMARY

Line	Service	Per Item Cost	Total Cost
A	DCRA Black Powder Championship Entry Fee		\$ 250.00
B	DCRA Membership (carried forward from Page 1)	varies	\$ _____
C	Rations & Quarters in Connaught (carried forward from Page 2 above)	\$ 45.00 per day	\$ _____
D	Meet & Greet Tickets (carried forward from Page 2 above)	\$ 15.00 each	\$ _____
E	Awards Luncheon (includes one drink), (carried forward from Page 2 above)	\$ 20.00 each	\$ _____
F	Donations to the DCRA (Receipt will be provided)		\$ _____
G	Total (Canadian Dollars Only) (Lines A to E)		\$ _____

PAYMENT OPTIONS

I am paying by cheque as indicated in Line F of Summary <input type="checkbox"/>		
I am paying by credit card and authorize the DCRA to add 4% (cost recovery) to the total amount <input type="checkbox"/>		
Card # _____ / _____ / _____ / _____	Expiry Date: _____	Security Code _____
Print Name _____	Date _____	Signature _____

I agree to abide by the Rules and Conditions governing these competitions. I certify that the information entered on this form is correct, and I accept full responsibility for any errors or misinformation. See Rule 26.02. I understand and agree that neither the Department of National Defence nor the Dominion of Canada Rifle Association is responsible in any way for the loss, theft or damage to personal firearms.

Notice: Canadian Forces Administration Order 36-52 requires that the firearms and ammunition used on DND ranges be serviceable and safe and that the Crown is indemnified from all liabilities arising from the use of the DND facility by the DCRA. I certify that the firearms and self-supplied ammunition I will use during the 2015 National Championships meet the conditions stated above. I indemnify the Crown from all liabilities arising from my use of Connaught Ranges.

Date

Signature of Competitor

For further information: please contact Mr Chris Jones
 Phone: 613-820-4749, email: chrisandpete@sympatico.ca or office@dcra.ca



THE DOMINION OF CANADA RIFLE ASSOCIATION

45 Shirley Boulevard, Ottawa, ON K2K 2W6

Telephone: (613) 829-8281

FAX: (613) 829-0099

e-mail: office@dcra.ca

<http://www.dcra.ca>

DCRA F-CLASS NATIONAL CHAMPIONSHIP 2015
INDIVIDUAL ENTRY FORM

PLEASE READ THESE NOTES CAREFULLY (Our form has changed since 2014)

1. This form must be completed in all applicable sections and signed by the competitor.
2. DCRA Membership is compulsory for all participants.
3. Payment must be made by Money Order or Cheque Cdn Dollars drawn in favour of the Dominion of Canada Rifle Association or with Visa, Master Card or American Express (AMEX) with addition of a 4% cost recovery charge.
4. Payment may not be "post-dated" beyond 14 June 2015.
5. Entries postmarked after 14 June will be subject to a late entry surcharge of \$100.00. Exception is members of official International F-Class Teams from outside Canada. Such teams must notify the DCRA in writing no later than 01 June of their intent to participate; their strength; have submitted entry forms; and have agreed to pay to the DCRA all fees in bulk on arrival at Connaught.
6. Late entrants may be denied accommodation and/or the opportunity to compete since space may be limited.
7. Entries that are withdrawn will be charged as follows:
 - a. 50% of total fee will be forfeited if the notification is received by the DCRA office after 4 PM on 07 July 2015; and
 - b. **No refund will be given for a withdrawal after 02 August, 2015.**
8. Your Canadian Firearms Licence or Non-Resident Firearms Declaration must be presented when picking up squadding tickets.
9. The FCNC Program is available online at www.dcra.ca and a booklet will be included with each competitor package to be picked up during registration.

PERSONAL INFORMATION (Please use BLOCK CAPITAL LETTERS)

SURNAME:		FIRST NAME	
ADDRESS:			CITY:
PROV/STATE	POSTAL/ZIP CODE	COUNTRY:	
HOME PHONE:	ALTERNATE PHONE:	E-MAIL	
DATE OF BIRTH: (dd/mm/year) ____/____/____		Male <input type="checkbox"/>	Female <input type="checkbox"/>
Age on 01 Sep 2015:	Under 19 (J) <input type="checkbox"/>	19-24 (M) <input type="checkbox"/>	25-64 (X) <input type="checkbox"/>
COMPETITOR CLASSIFICATION		F/Open <input type="checkbox"/>	F/TR <input type="checkbox"/>

CITIZENSHIP: Rule 1.01(5): "Canadian means a Canadian citizen, a member of the Canadian Armed Forces, or a landed immigrant who has been a resident of Canada for at least one year prior to the first day of the Meeting."

Cdn under Rule 1.01(5) (A) <input type="checkbox"/>	Non-Canadian (X) <input type="checkbox"/>
---	---

DCRA Membership	Membership Type	Cost	Pre-paid	Enclosed	Total
(Compulsory for all competitors. Indicate category and if prepaid or enclosed.)	Life Member - please pay for insurance	\$ 20.00	<input type="checkbox"/>	<input type="checkbox"/>	\$ _____
	Annual Full (over 25 on 01 April 2015)	\$ 130.00	<input type="checkbox"/>	<input type="checkbox"/>	\$ _____
	Annual Under 25 (under 25 on 01 April 2015)	\$ 90.00	<input type="checkbox"/>	<input type="checkbox"/>	\$ _____
	Associate/ Non-Canadian	\$ 55.00	<input type="checkbox"/>	<input type="checkbox"/>	\$ _____
	Membership Total..... (Carry amount forward to Line B on Page 2)				

PRA Membership	Member of _____ PRA	Paid <input type="checkbox"/>	Not Paid <input type="checkbox"/>
	Category: Life <input type="checkbox"/>	Annual Full <input type="checkbox"/>	Annual Under 25 <input type="checkbox"/>

RATIONS AND QUARTERS IN CONNAUGHT	
Arrival Date ____/____/____	Departure Date ____/____/____
_____ # of nights @ \$45.00 per night for military quarters (includes 3 meals per day): (Carry forward to Line C of Summary) \$ _____	
Share double occupancy room with: (No mixed company in military quarters) _____	
Notes: <ol style="list-style-type: none"> The DCRA will provide a combination lock for each room. If you plan on using your own lock, please be prepared to leave a key with the office for use by your room mate. For those competitors who are not in quarters, cash lunch WILL NOT be available in the dining hall. Connaught no longer has camping spaces. Hence tent-trailers, RVs, caravans, 5th wheels or private tents WILL NOT be permitted. Competitors wishing to stay in this type of accommodation must use off-site facilities. The nearest civilian campsite is Wesley Clover at 401 Corkstown Rd. Phone 613-828-6632, and online at camp@wesleycloverparks.com Early reservation is strongly recommended. Limited military modular tentage is available onsite. For details contact the office. Mention "DCRA" at the Comfort Inn at 222 Hearst Way, in Kanata and receive a special low rate for participants in DCRA sponsored matches. www.comfortinnkanata.com Phone 613-592-2200 	

MEET AND GREET	
_____ # of Meet and Greet Tickets @ \$15.00 each: (Carry amount forward to Line D of Summary) \$ _____	
The Meet & Greet will be on Saturday, 15 August 2015 and will consist of hors-d'oeuvres only. Tickets may be purchased on arrival, however, please with help our planning by indicating, on this form, your intention to attend.	Vegetarian hors-d'oeuvres required: <input type="checkbox"/>

F-CLASS NATIONAL CHAMPIONSHIP SERVICES AND PAYMENT SUMMARY			
Line	Service	Per Item Cost	Total Cost
A	F-Class National Championship Entry Fee	\$ 365.00	\$ 365.00
B	DCRA Membership (carried forward from Page 1 above)	varies	\$ _____
C	Rations & Quarters in Connaught (carried forward from Page 2 above)	\$ 45.00 per day	\$ _____
D	Meet and Greet (carried forward from Page 2 above)	\$ 15.00 per ticket	\$ _____
E	Full Results Booklet (Mailed after the matches)	\$ 25.00 each	\$ _____
F	Ammunition – if available (20 rounds per box) (.308/155 gr)	Check with office for pricing	\$ _____
G	Rulebook On Arrival <input type="checkbox"/>	\$ 10.00 each	\$ _____
H	Donations to the DCRA (Receipt will be provided)		\$ _____
J	Total (Lines A to H)		\$ _____

PAYMENT OPTIONS

I am paying by cheque as indicated in Line J of Summary

I am paying by credit card and authorize the DCRA to add 4% (cost recovery) to the total amount

Card #

Expiry Date:

Security Code

Print Name

Date

Signature

I agree to abide by the Rules and Conditions governing these competitions. I certify that the information entered on this form is correct, and I accept full responsibility for any errors or misinformation. See Rule 26.02. I understand and agree that neither the Department of National Defence nor the Dominion of Canada Rifle Association is responsible in any way for the loss, theft or damage to personal firearms.

Notice: Canadian Forces Administration Order 36-52 requires that the firearms and ammunition used on DND ranges be serviceable and safe and that the Crown is indemnified from all liabilities arising from the use of the DND facility by the DCRA. I certify that the firearms and self-supplied ammunition I will use during the 2014 National Championships meet the conditions stated above. I indemnify the Crown from all liabilities arising from my use of Connaught Ranges.

Date

Signature of Competitor



THE DOMINION OF CANADA RIFLE ASSOCIATION

45 Shirley Boulevard, Ottawa, ON K2K 2W6

Telephone: (613) 829-8281

FAX: (613) 829-0099

e-mail: office@dcra.ca

<http://www.dcra.ca>

CANADIAN FULLBORE RIFLE CHAMPIONSHIPS 2015
INDIVIDUAL ENTRY FORM

PLEASE READ THESE NOTES CAREFULLY (Our form has changed since 2014)

1. This form must be completed in all applicable sections and signed by the competitor.
2. DCRA Membership is compulsory for all participants.
3. Payment must be made by Money Order or Cheque (Cdn Dollars) drawn in favour of the Dominion of Canada Rifle Association or with Visa, Master Card or American Express (AMEX) with the addition of a 4% cost recovery charge.
4. Payment may not be "post-dated" beyond 14 June 2015.
5. Entries postmarked after 14 June will be subject to a late entry surcharge of \$100.00. Exceptions are:
 - a. Members of official International Target Rifle Teams from outside Canada. Such teams must notify the DCRA in writing no later than 01 June of their intent to participate; their strength; have submitted entry forms; and have agreed to pay to the DCRA all fees in bulk on arrival at Connaught; and
 - b. Cadets and staff from the Connaught National Army Cadet Summer Training Centre.
6. Late entrants may be denied accommodation and/or the opportunity to compete since space may be limited.
7. Entries that are withdrawn will be charged as follows:
 - a. 50% of total fee will be forfeited if the notification is received by the DCRA office after 4 PM on 07 July 2015; and
 - b. **No refund will be given for a withdrawal after 02 August, 2015.**
8. Your Canadian Firearms Licence or Non-Resident Firearms Declaration must be presented when picking up squadding tickets.
9. The CFRC Program is available online at www.dcra.ca and a booklet will be included with each competitor package to be picked up during registration.
10. Except for 2 & 15 shot matches at long range, there will be **THREE** shooters squadded per target.

PERSONAL INFORMATION (Please use BLOCK CAPITAL LETTERS)					
SURNAME:			FIRST NAME		
ADDRESS:				CITY:	
PROV/STATE	POSTAL/ZIP CODE		COUNTRY:		
HOME PHONE:	ALTERNATE PHONE:		E-MAIL		
DATE OF BIRTH: (dd/mm/year) / /			Male	<input type="checkbox"/>	Female <input type="checkbox"/>
Age on 01 Sep 2015:	Under 19 (J) <input type="checkbox"/>	Under 30 <input type="checkbox"/>	19-24 (M) <input type="checkbox"/>	25-64 (X) <input type="checkbox"/>	65+(O) <input type="checkbox"/>

TARGET RIFLE CLASSIFICATION		Master (M)	Expert (C)	Sharpshooter (S)	Greenshot (G)
Current DCRA Classification (No classification for F-Class)		<input type="checkbox"/>	<input type="checkbox"/>	<input type="checkbox"/>	<input type="checkbox"/>
Current Provincial Classification	Province: _____	<input type="checkbox"/>	<input type="checkbox"/>	<input type="checkbox"/>	<input type="checkbox"/>
OR	Your Home Country NRA Classification (Non-Canadian)	Country: _____		Classification: _____	
OR	Entering in F-Class for limited awards. Will be squadded with TR shooters.		F/Open <input type="checkbox"/>	F/TR <input type="checkbox"/>	

CITIZENSHIP: Rule 1.01(5): "Canadian means a Canadian citizen, a member of the Canadian Armed Forces, or a landed immigrant who has been a resident of Canada for at least one year prior to the first day of the Meeting."

Cdn under Rule 1.01(5) (A) <input type="checkbox"/>	2015 RCAC Bisley Team (B) <input type="checkbox"/>	ACF (UK) (Z) <input type="checkbox"/>
Cadets (RCAC-ACLIM) (C) <input type="checkbox"/>	Non-Canadian (X) <input type="checkbox"/>	BCRT (Athelings – UK) (Y) <input type="checkbox"/>

ELIGIBILITY FOR SPECIAL AWARDS

Serial	Eligible For	Criteria	Yes	No
1	Gerry Ouellette Prize	40 years of age or under on 18 August 2015	<input type="checkbox"/>	<input type="checkbox"/>
2	R.G. Potter Memorial	18 or 19 years of age on 22 August 2015	<input type="checkbox"/>	<input type="checkbox"/>
3	Veterans Team Match	60 years of age or over on 01 July 2015	<input type="checkbox"/>	<input type="checkbox"/>
4	Cdn Forces TR Championship	Serving member of the Cdn Forces (Reg or Res on active duty, CIC or COATS)	<input type="checkbox"/>	<input type="checkbox"/>
5	Major Colin Brown Trophy	Canadian, 30 years of age or under on 18 August 2015.	<input type="checkbox"/>	<input type="checkbox"/>

DCRA	Membership Type	Cost	Pre-paid	Enclosed	Total
Membership (Compulsory for all competitors. Indicate category and if prepaid or enclosed.)	Life Member - please pay for insurance	\$ 20.00	<input type="checkbox"/>	<input type="checkbox"/>	\$ _____
	Annual Full (over 25 on 01 April 2015)	\$ 130.00	<input type="checkbox"/>	<input type="checkbox"/>	\$ _____
	Annual Under 25 (under 25 on 01 April 2015)	\$ 90.00	<input type="checkbox"/>	<input type="checkbox"/>	\$ _____
	Associate/Non-Canadian	\$ 55.00	<input type="checkbox"/>	<input type="checkbox"/>	\$ _____
	Membership Total..... (Carry amount forward to Line A on Page 4)				\$ _____
PRA Membership	Member of _____ PRA		Paid <input type="checkbox"/>	Not Paid <input type="checkbox"/>	
	Category: Life <input type="checkbox"/>	Annual Full <input type="checkbox"/>	Annual Under 25 <input type="checkbox"/>		

RATIONS AND QUARTERS IN CONNAUGHT

Arrival Date _____/_____/_____	Departure Date _____/_____/_____
_____ # of nights @ \$45.00 per night for military quarters (includes 3 meals per day): (Carry amount forward to Line B on Page 4) \$ _____	
Share double occupancy room with: (No mixed company in military quarters) _____	

Notes:

- The DCRA will provide a combination lock for each room. If you plan on using your own lock, please be prepared to leave a key with the office for use by your room mate.
- For those competitors who are not in quarters, cash lunch **WILL NOT** be available in the dining hall.
- Connaught no longer has camping spaces. Hence tent-trailers, RVs, caravans, 5th wheels or private tents **WILL NOT** be permitted. Competitors wishing to stay in this type of accommodation must use off-site facilities. The nearest civilian campsite is Wesley Clover at 401 Corkstown Rd. Phone 613-828-6632, and online at camp@wesleycloverparks.com Early reservation is strongly recommended.
- Limited military modular tentage is available. For details contact the office.
- Mention "DCRA" at the Comfort Inn at 222 Hearst Way, in Kanata and receive a special low rate for participants in DCRA sponsored matches. www.comfortinnkanata.com Phone 613-592-2200

MEET AND GREET

of Meet and Greet Tickets @ \$15.00 each: (Carry amount forward to Line C on Page 4) \$ _____

The Meet & Greet will be on Saturday, 15 August 2015 and will consist of hors-d'oeuvres only. Tickets may be purchased on arrival, however, please help with our planning by indicating, on this form, your intention to attend.

Vegetarian hors-d'oeuvres required:

CFRC PRACTICE & WARMUP MATCHES – 14-15 AUGUST 2015

Notes:

1. Practice Targets are available Friday-AM and Friday-PM, in increments of 20 minute time slots. Consecutive slots on the same target may be purchased and merged into a single longer slot. Contact the DCRA Office for further details.
2. Friday-PM, competitors may participate in either the Sierra Long Range Challenge or Practice.
3. Canadian 223/556 Championship competitors may not enter the Sierra Long Range Challenge Match or the Gooderham as they run concurrently with the 223/556 Championship.
4. Entry in all Warmup Matches may be limited due to target availability.
5. Check the bulletin board for availability of practice targets during the Grand Aggregate.

Day/Time	Distance	# of Slots	Price per Slot	Total
Friday AM	900 m Practice Target	_____	\$ 15.00	\$ _____
Friday PM	900 m Practice Target	_____	\$ 15.00	\$ _____
Total Practice Costs..... (Carry Forward to Line D on Page 4)				\$ _____

Day/Time	Match	Classification			Match Price	Total
		TR	F/O	F/TR		
Friday PM	Sierra Long Range Challenge 1 & 2 10 @ 900 m x 2				\$ 45.00	\$ _____
Fri & Sat	Canadian 223/556 Championship 15 @ 800 m x 2, 15 @ 900 m, 15 @ 500 y, 15 @ 600 y & 15 @ 900 m				\$144.00	\$ _____
Friday Eve 1800 – 1927 hrs	The Ottawa Regiment 15 @ 800 m				\$ 30.00	\$ _____
Saturday AM	The Gooderham 10 @ 500 yds & 10 @ 600 yds				\$ 40.00	\$ _____
Saturday PM	Sierra Long Range Challenge 3 & 4 10 @ 900 m x 2				\$ 45.00	\$ _____
	The Army & Navy Veterans Match 15 @ 900 m				\$ 30.00	\$ _____
Practice & Warm-up Match Total.... (Carry forward to Line E on Page 4)						\$ _____

TARGET RIFLE CHAMPIONSHIP SERVICES AND PAYMENT SUMMARY

Line	Service	Per Item Cost	Total Cost
A	DCRA Membership (carried forward from Page 2)	varies	\$ _____
B	Rations & Quarters in Connaught (carried forward from Page 2)	\$ 45.00 per day	\$ _____
C	Meet and Greet (carried forward from Page 3)	\$ 15.00 per ticket	\$ _____
D	Practice Targets (carried forward from Page 3)	\$ 15.00 per target	\$ _____
E	Warm-up Matches (carried forward from Page 3)	varies	\$ _____
F	Grand Aggregate and Tilton Match	64 and under as of 31 August 2015 <input type="checkbox"/>	\$ 730.00 \$ _____
		65 and over as of 1 September 2015 <input type="checkbox"/>	\$ 700.00 \$ _____
		TR <input type="checkbox"/> F/O <input type="checkbox"/> F/TR <input type="checkbox"/>	
G	Full Results Booklet (Mailed after the matches)	\$ 25.00 each	\$ _____
H	Ammunition - if available (20 rounds per box, .308/155 gr)	Check with office for pricing	\$ _____
I	Rulebook (To be delivered on arrival)	\$ 10.00 each	\$ _____
J	Donations to the DCRA (Receipt will be provided)		\$ _____
K	Total for all Services Above		\$ _____

Notes: If paying by cheque, please enclose cheque with the entry form.
If paying by credit card, the balance will be processed upon receipt of entry form.

PAYMENT OPTIONS

I am paying by cheque as indicated in Line K above

I am paying by credit card and authorize the DCRA to add 4% (cost recovery) to the total amount

Card #

_____/_____/_____/_____

Expiry Date:

____/____/____

Security Code

____-____-____

Print Name

Date

____/____/____

Signature

I agree to abide by the Rules and Conditions governing these competitions. I certify that the information entered on this form is correct, and I accept full responsibility for any errors or misinformation. See Rule 26.02. I understand and agree that neither the Department of National Defence nor the Dominion of Canada Rifle Association is responsible in any way for the loss, theft or damage to personal firearms.

Notice: Canadian Forces Administration Order 36-52 requires that the firearms and ammunition used on DND ranges be serviceable and safe and that the Crown is indemnified from all liabilities arising from the use of the DND facility by the DCRA. I certify that the firearms and self-supplied ammunition I will use during the 2014 National Championships meet the conditions stated above. I indemnify the Crown from all liabilities arising from my use of Connaught Ranges.

Date

Signature of Competitor

THE DOMINION OF CANADA RIFLE ASSOCIATION

45 Shirley Boulevard, Nepean, ON K2K 2W6,

Telephone : (613) 829-8281

FAX: (613) 829-0099

e-mail: office@dcra.ca

http://www.dcra.ca



2015 National Service Conditions Championship Entry Form (27 August – 4 September)

Last Name		First Name		Rank/Title	
Home Unit/Club/Association			Formation/Team Name		
Personal/Home Address					
City		Prov/State	Country		Postal/ZIP Code
Home Phone #	Alternate Phone #		Cell Phone #	E-mail Address	

Check all boxes pertinent to your entry.

Match Discipline	Competitor Classification	Tyro (Cdn Only)	Civilian Firing Personal Weapon (Open)	CAF/RCMP Firing Personal Weapon (Open)	CAF/RCMP Firing Issue Weapon (CAF/RCMP)	or	CAF Designated Marksman (DM) (C7 Only)
Duty/Operational Pistol		<input type="checkbox"/>	<input type="checkbox"/>	<input type="checkbox"/>	<input type="checkbox"/>		<input type="checkbox"/>
Precision/ Sniper Rifle		<input type="checkbox"/>	<input type="checkbox"/>	<input type="checkbox"/>	<input type="checkbox"/>		<input type="checkbox"/>
Service Rifle		<input type="checkbox"/>	<input type="checkbox"/>	<input type="checkbox"/>	<input type="checkbox"/>		<input type="checkbox"/>

Notes:

- All competitors are eligible for Open Class prizes.
- Only CAF/RCMP competitors using issue weapons are eligible for CAF/RCMP prizes. Competitors registered as CAF/RCMP are not permitted to fire personal weapons in competitions.
- Designated Marksman (DM) is open only to CAF members and is a Service Rifle competitor, firing only the C7 rifle, and shooting alongside in the Precision/Sniper Rifle discipline of matches.
- Tyro is a competitor who has not previously competed in a National Service Conditions Championship of the DCRA, CAFSAC or other international service conditions competition. Only a Canadian citizen may compete as a Tyro.
- All non-Canadians must compete in the Open and Senior classifications.
- No Charge for the 3 Gun Championship. Open to any competitor entered in all three disciplines. Must be in the same Competitor Classification throughout. Competitors in the DM classification are ineligible.

FEE SCHEDULE AND PAYMENT

Check & fill boxes as appropriate.					Total		
First Weapon \$140.00 (includes DCRA membership; individual & team events for one weapon)	Service Rifle	<input type="checkbox"/>	Precision / Sniper Rifle / DM	<input type="checkbox"/>	Pistol	<input type="checkbox"/>	\$ _____
Second Weapon \$50.00 (includes individual & team events for second weapon)	Service Rifle	<input type="checkbox"/>	Precision / Sniper Rifle / DM	<input type="checkbox"/>	Pistol	<input type="checkbox"/>	\$ _____
Third Weapon \$50.00 (includes individual & team events for third weapon)	Service Rifle	<input type="checkbox"/>	Precision / Sniper Rifle / DM	<input type="checkbox"/>	Pistol	<input type="checkbox"/>	\$ _____
Rule Book \$12.00		<input type="checkbox"/>					\$ _____

Accommodations for Civilians, Police & RCMP (if Available)

Arrival Date: _____	Departure Date: _____	
<input type="checkbox"/> Rations & Quarters for _____ nights @ \$45/ night (includes 3 meals per day. No rooms only.)		\$ _____
Male <input type="checkbox"/>	Female <input type="checkbox"/>	Share with _____
You will be advised as soon as possible if hard quarters are not available. Camping is not available. Military Personnel - please contact CRPTC Range Control for R&Q arrangements.		
TOTAL (Canadian Dollars Only)		\$ _____

Form of Payment

I enclose a cheque in the above-noted TOTAL amount <input type="checkbox"/>	\$ _____
I am paying by credit card and authorize the DCRA to add 4% (cost recovery) to the total amount	
Card Number _____ / _____ / _____	Expiry Date _____ Security Code _____

Date: _____	Signature: _____
-------------	------------------

2013/2014 DCRA POSTAL PROGRAM RESULTS

Match 1.3 Cadet Air Rifle Team			
Gold	2820 Chutes de la Chaudiere (Pink)	Charny, QC	1541
Silver	676 Kittyhawk	Sidney, BC	1530
Bronze	907 Black Knights (Pink)	Langley, BC	1526
Match 1.4 Cadet Air Rifle Individual Match			
Gold	Andrei Moraru, Corps de Cadet 2600 de Rochebelle	St. Foy, QC	396
Silver	Charlotte Nettie, 2799 Queens York Rangers	Keswick, ON	395
Bronze	Adam Naugler, 2610 RCACC Sheet Harbour	Halifax, NS	391
Match 1.5 Cadet Staff Air Rifle Prone			
Gold	Mathieu Parker-Labonte, CCMRC 242 Granby	Granby, QC	393
Silver	Jean-Yves Prevost, 2693 Corps Cadets Nottam	Senneterre, QC	385
Bronze	Michael Asprey, 2610 RCACC Sheet Harbour	Sheet Harbour, NS	384
Match 1.6 Cadet Staff/Cadet Pairs Air Rifle Prone Match			
Gold	Mike Asprey, Adam Naugler, 2610 RCACC Sheet Harbour	Sheet Harbour, NS	581
Silver	Audrey-Anne Dery, Dominic Dusage-Dube, Escadron 921	L'Ancienne-Lorette, QC	580
Bronze	Etienne Bosse, Jonathan Blais, 2820 Chutes de la Chaudiere	Charny, QC	576
Match 1.8 Stage 1 Air Rifle Team Match for the Youth of the Commonwealth			
1st Place	907 Black Knights RCACS	Langley, BC	1505
2nd Place	51 Canadian Aviation Museum Sqn	Gatineau, QC	1419
3rd Place	167 Air Marshall Bishop VC RCACS	Borden, ON	1417
Match 1.8 Stage 2 Air Rifle Team Match for the Youth of the Commonwealth			
1st Place	907 Black Knights RCACS	Langley, BC	1508
2nd Place	51 Canadian Aviation Museum Sqn	Gatineau, QC	1446
3rd Place	167 Air Marshall Bishop VC RCACS	Borden, ON	1389
Match 1.9 Cadet Air Rifle Standing Individual Match			
Gold	Manuel Tetreault, CCRAC 2938 de Roussillon	Candiac, QC	376
Silver	Matthew Wong, 907 Black Knights RCACS	Langley, BC	328
Bronze	Melissa Clark, 2837 PPCLI RCACC	Yellowknife, NWT	326
Match 2.3 Junior Air Rifle Team Match			
Gold	907 Black Knights Sqn (Pink)	Langley, BC	1529
Match 2.4 Junior Air Rifle Individual Match			
Gold	Soukeyna Desbiens, 51 Canadian Aviation Museum Sqn	Gatineau, QC	375
Match 3.1 Open Smallbore Rifle Team Match			
Gold	Club de tir Castors de Charlesbourg	Quebec City, QC	2345
Match 3.2 Open Iron Sight Smallbore Rifle Individual Match			
Gold	Marcel Kolb, Annapolis Valley Shooting Sports Club	Kentville, NS	596
Silver	Derek Budd, Red Deer Fish and Game	Benalto, AB	594
Bronze	Gale Stewart, Club de tir Castors de Charlesbourg	Quebec City, QC	592
Match 3.3 Open Any Sight Smallbore Rifle Individual Match			
Gold	Derek Budd, Red Deer Fish and Game	Benalto, AB	597
Silver	Gale Stewart, Club de tir Castors de Charlesbourg	Quebec City, QC	597
Bronze	Marcel Kolb, Annapolis Valley Shooting Sports Club	Kentville, NS	594
Match 3.4 Open Pairs Smallbore Rifle Match			
Gold	Stefan Isaacs, Aidan Huck, Cascade Rifle and Pistol	Everett, WA	575
Match 3.5 Open Air Rifle Team Match			
Gold	Kamloops Target Sports Association	Kamloops, BC	2133
Match 3.6 Open Air Rifle Individual Match			
Gold	Corinna Schmidt, Federation Quebecoise de tir	Montreal, QC	572
Silver	Derek Budd, Red Deer Fish and Game	Benalto, AB	568
Bronze	Kevin Leblanc, Federation Quebecoise de tir	Montreal, QC	559
Match 3.7 Open F-Class Smallbore Rifle Team Match			
Gold	Annapolis Valley Shooting Sports Club	Kentville, NS	2384
Match 3.8 Open F-Class Smallbore Rifle Individual Match			
Gold	Barry Prost	Kamloops, BC	600
Silver	Paul Reibin	Kamloops, BC	598
Bronze	Mark Anderson	Kamloops, BC	597

100 Honour Roll
 Adam Naugler
The John A. Stacenko Award
 Kyra Tuggle, Sidney, BC

ANNUAL GENERAL MEETING MINUTES

Minutes of the Annual General Meeting Saturday 29 March 2014 – Connaught Ranges

Chairman: BGen (Ret'd) Ray Romses

Vice-President: Des Vamplew

Finance Committee Chairman: Dr. Jim Thompson

Secretary-Treasurer: Keith Bornn

In Attendance: 32 members

ITEM 1: Opening Remarks

Opening remarks were presented by BGen (ret'd) Ray Romses. He asked for a moment of silence for members and friends that have passed away over the previous year. The committee and office staffs were complimented for their hard work. He noted that, primarily due to staff changes, in 2013, the association had dipped into the red. He took note of the improvements to the Canadian Pavilion at Bisley and complimented the efforts of Roger Mullin, the Bisley Team and The Macdonald Stewart Foundation. The Chairman's Opening Remarks are attached as Annex A.

ITEM 2: Statutory Declaration of Notice of AGM

As read by the Secretary/Treasurer, Keith Bornn: Bill 169, The Act to Incorporate the Dominion of Canada Rifle Association, assented into law on 7 July 1900, requires an Annual General Meeting of members of the association:

Moreover, Chapter 7 of the association bylaws states that an AGM shall be held each year to deal with issues as and when required:

It was announced in the Fall/Winter 2013 Canadian Marksman that the Annual General Meeting would be held at Connaught Ranges and subsequently published on the DCRA website that the AGM would be held on 29 March 2014 commencing at 1000 hours; This meeting, now fully assembled fulfils those requirements.

ITEM 3: Approval of Agenda

The Chairman asked if there were any other items to be added to the agenda. Scott Bissett asked that World F-Class

Championship be added under New Business.

Motion AGM 01/14: Moved by Bill Molnar, and Seconded by Paul Reibin that the agenda be approved as amended. **Carried**

ITEM 4: Adoption of Minutes from the DCRA AGM 23 March 2013

The Chairman asked for a motion to approve the subject minutes. Don Hall requested an amendment to Motion AGM 17/13 of the minutes to correct the wording. The new wording reads "moved that a Standing Committee on Membership and Communication be formed, composed of all..."

Motion AGM 02/14: Moved by Paul Reibin, and Seconded by: Chris Jones that the Minutes of the DCRA AGM of 23 March 2013, with amendment, be approved. **Carried**

Secretarial Note: The Motion AGM 17/13 dealt with the creation of a Standing Committee on Membership and Communication and the use of the 50 Club funds. The motion was approved by the members at that AGM. The revised wording recommended that Council establish this committee and allocate funds. Review of the association bylaws indicates that the actions at the AGM, in approving the original motion, were beyond the scope of its authority Chapter 6, Article 6.02 (2) clearly vests Council with authority for expenditure of association funds. Motions C16/13 & C17/13, in the 24 March 2013 Council meeting, refer and complete action on this issue. Therefore, this AGM has no authority to approve a motion that affects the expenditure of association funds.

ITEM 5: Annual Report

The Annual Report was presented by Secretary/Treasurer and is attached as Annex B.

ITEM 6: Reports from Provincial Rifle Associations

Newfoundland. Mr. Geoff Woodman, on behalf of the NLRA reported that there had been no activity by the NLRA during 2013. The outlook for 2014 is uncertain at this time, and it looks unlikely that there will be any activity this upcoming season.

Nova Scotia. A written report was submitted by Dave Beaulieu on behalf of the NSRA. It was summarized by the Chairman. A short discussion followed on the status of the Bedford & Debert Ranges which are both still open and very busy. The NRSA Annual Report is attached as Annex C.

Prince Edward Island. No report submitted.

New Brunswick. A written report was submitted and presented by Michael Lutes, the Interim President of the RNBRA. The report is attached as Annex D.

Quebec. A bilingual written report was submitted by M. Jean-Charles Marcoux on behalf of the PQRA and presented by Jacques Dugas. The report is attached as Annex E. The Chairman asked that letters of appreciation be sent to the outgoing President and to the new President, Robert Fortier. Edson Warner reported on the condition of the range at Masonville, PQ, and presented a positive report on the state of shooting in the Eastern Townships.

Ontario. Report presented by Steven Spinney on behalf of the ORA President. Report attached as Annex F. Annex H.

ANNUAL GENERAL MEETING MINUTES

NCRRA. A verbal report was presented by Bill Molnar, President of the NCRRA. A copy is attached as Annex G.

Manitoba. A verbal report was presented by John Chapman, President of the MPRA. A copy is attached as Annex H.

Saskatchewan. A report was presented by Stan Frost on behalf of Doug Potter, President of the SPRA. The report is attached as Annex I.

Following the report, Bill Molnar asked about the SPRA F-Class competitor classification system. He recommended a national system vice a series of uncoordinated provincial systems. Scott Bissett advised that the SPRA is using the DCRA TR classification system as the standard for the trial and that the DCRA F-Class Committee is closely monitoring the SPRA trial.

Alberta. No report submitted.

British Columbia. Dave Adams presented the verbal BCRA report. The report is attached as Annex J.

ITEM 7: *Executive Vice President Report and Committee Reports.*

Executive Vice President Report. A verbal report was presented by the Vice-President, a copy of which is attached as Annex K (Not Received).

Shooting Committee Chairman Report. Report presented by the Secretary/Treasurer on behalf of Serge Bissonnette and attached as Annex L.

Canadian Championships (TR/F-Class) Committee. Daniel Chisholm reported on CFRC 2014, providing updates on FCNC, Target Rifle shooting in threes, the F-Class and TR America Matches, and cadet participation in CFRC 2014. Following this report, Steven Spinney provided a reminder to squad all lefties together thus avoiding over-crowding on the firing point. Daniel then stated that F-Class competitors will be squadded in twos also to prevent over-crowding.

International Teams Committee. Jim Thompson presented a report on all recent, current and upcoming international teams. The report is attached as Annex M. Following this report a discussion ensued. John Chapman iterated the very real need for members of all international teams to submit their personal information and payments, on time to facilitate planning and staffing of documents. Peter Westlake reported on preparations for the 2015 Palma Teams (Senior, Veterans & Under 25), going to Camp Perry. Roger Mullin reported that the Veterans Team has a full slate of competitors, and a very good chance of winning. Team composition of the Veterans Team will be announced in October shortly after announcement of the Palma Team. Scott Bissett presented an update on preparations for the 2017 F-Class Championship. Kenny Proulx reported that the ICFRA rulebook would require some amendment.

Service Rifle. The Match Director, Keith Bornn, presented an update on NSCC and CAFSAC planning, indicating that both events are well progressed, with excellent cooperation being displayed by all concerned parties. Planning conferences for both CAFSAC and NSCC re-

sulted in most issues being resolved. The return of Sean Gagnon and the addition of John Todd will provide much needed support to NSCC range staff. CAFSAC authorities have already named Chief Range Officers for both pistol and service rifle disciplines. Both officers were suggested by Kathy Corcoran, demonstrating that CAFSAC management is listening to DCRA recommendations.

Black Powder Committee. A written report was submitted by Chris Jones, Chairman of the Black Powder Committee. The report is attached as Annex N.

Winter Postal Program. Peter Westlake presented a verbal report indicating a 10-15% decrease in participation this year, possibly caused by changes in personnel in cadet management. Bill Molnar suggested sending a letter to the Royal Canadian Legion thanking them for their support, advising of the benefit it provides, inviting them to the CFRC awards presentations and offering them the opportunity to present cadet awards. The Secretary/Treasurer was requested to action this recommendation.

Shooting Support Committee Chairman Report. Written report for both Shooting Support and Shooting Committees attached as Annex L.

Rules Committee. Written report presented and submitted by Dr Roger Mullin, Chairman of the Rulebook Committee. The F-Class community is examining a number of new rules for adoption at ICFRA and nationally. It will be a year or so before they are ready for inclusion in the DCRA Rulebook. On the issue of CBQ type shooting, there is a requirement for Council to address rules for this type as they are not included in the TR & F-Class Rulebook. Gary Bowman requested that the information regarding drug declarations be added to the entry form. Dr Mullin & the Secretary-Treasurer will investigate the possibility of amending the entry form, website and ammunition declaration forms. Jim Thompson requested that a summary of rule changes be included on the association website as soon as possible. The Rules Committee report is attached as Annex P.

Coaching Committee. Peter Westlake presented two reports prepared by Pat Vamplew, copies of which are attached as Annexes Q & R.

National Training Program. Dave Adams presented his program report. Copy attached as Annex S.

Electronic Training Committee. Peter Westlake presented a verbal report which is attached as Annex T.

Electronic Target Review Committee. Steven Spinney presented his report, a copy of which is attached as Annex U (Not Received).

ANNUAL GENERAL MEETING MINUTES

ICFRA Committee Rep. Stan Frost presented this report. Of note, Phil Harrison is stepping down next year and applications are being taken for a replacement. The written report is attached as Annex V.

Administration Chairman Report. Bill Molnar, Chairman of the Administration Committee, introduced his representatives who gave their reports.

Canadian Pavilion at Bisley Limited (CPBL). Stan Frost reported on the condition and planned repairs to the pavilion. Jim Thompson reported that he had visited the pavilion and found the roof repairs to have been successful. Foul weather had done minor damage to roof tiles that will require some work in spring. Planned window improvements are designed to lengthen the seasons during which the building can be used. Any donations to the pavilion will be gratefully accepted. The CPBL Report is attached as Annex W.

Property Committee. Bill Molnar reported that: the furnace does not need replacing, the Radon issue has been placed on hold at the request of DND, and the second floor balcony will be stained as soon as weather permits.

Marksman. Updates presented by Scott Bissett and Keith Bornn. Of note, efforts are underway to balance the size and content of the two annual publications as well as to present information in a timelier manner.

Firearms Legislation Committee. The report was submitted by Serge Bissonnette, presented by Stan Frost and is attached as Annex X.

Website & Social Media. A written report on the Website and Social Media was submitted by Aaron Daley, the association Web Guru. It was presented by Bill Molnar and is attached as Annex Y.

Business Development and Fund Raising Committee. A report was submitted and presented by Gary Bowman. The one year contract with Multiview as to date, realized no sales but this is not unusual in the first year. Paul Reibin suggested that a change should be made to the percentages kept by Multiview and passed on to the DCRA. The report is attached as Annex Z.

Membership & Communication Standing Committee. Des Vamplew reported that this committee was created at the last Executive Committee meeting and indicated that much initial work was required into PRA membership structures followed by coordinating, standardizing and streamlining of the DCRA and PRA membership issues. The objective is to increase DCRA membership and revenue.

Canada Not-For Profit Corporations Act. An update was provided by Keith Bornn indicating that transition to

the new act was not required by the DCRA as its incorporation had been effected by an Act of Parliament (OIC PC 5454). He also advised PRAs to review their articles of incorporation, read the Transition Guide prepared by Industry Canada, and contact Corporation Canada to confirm whether or not transition was required. PRAs will be emailed a copy of the new legislation, the Transition Guide and recommendations from the Secretary/Treasurer.

Secretarial Note: Email forwarded to all PRAs and the NCRRA on 23 April 2014.

ITEM 8: Vote of Thanks.

The Vote of Thanks was presented by the Chairman in English and by Alain Marion en français.

His Excellency, The Right Honourable David Lloyd Johnson CC CMM COM CD FRSC FRCPS for his generous contributions towards the prize list, and for serving as our Patron.

The Minister of National Defence and the staff of the Department for their cooperation and assistance during the year.

The Macdonald Stewart Foundation for their continued support by contributing to the prize list, and hosting the Macdonald Stewart - DCRA dinner, and above all for their continued generous interest in and support of the Macdonald Stewart Pavilion at Bisley.

The Bank of Montreal for their contribution towards the prize list.

To Sierra Bullets for their generous contribution to the ISSF Provincial matches and National Championships in the Long Range Challenge. And to the many individuals, too numerous to list, who have contributed time and money towards our activities.

Son Excellence le Très Honorable David Lloyd Johnson, CC CMM COM CD FRSC, FRCPS pour son généreuse contribution à la liste des prix et pour avoir été un des Patrons de l'Association.

Le Ministre de la Défense et le personnel de son ministère, pour leur coopération et leur aide durant l'année.

La Fondation Macdonald Stewart, pour leur contribution à la liste des prix, pour le dîner Macdonald Stewart et surtout pour l'intérêt et la générosité qu'ils manifestent dans l'entretien du Pavillon Macdonald Stewart à Bisley.

La Banque de Montréal, pour sa contribution à la liste des prix.

Sierra Bullets, pour sa contribution à la liste des prix provinciale "Sierra 300m Championnat". et national pour la compétition.

Ainsi qu'à toute les personnes qui ont contribué de leur temps et de leur argent pour assurer le succès de nos activités.

ANNUAL GENERAL MEETING MINUTES

Motion AGM 03/14: It was moved by Paul Reibin and seconded by Leo Poulin to accept the Vote of Thanks as read by the Chairman in English and by Alain Marion en francais. **Carried Unanimously**

ITEM 9: Adoption of Financial Statements.

The Financial Report was presented by Jim Thompson. The Financial Report, Balance Sheet, and Summary of Operations including the 2014 Budget are attached as Annex AA. During the subsequent discussion it was determined that a requirement exists for a face-to-face meeting with Future Financial. Participants at the meeting should include, from the DCRA - Keith Bornn, Aaron Daley, Kathy Corcoran, and from Future Financial - Carl Eppstadt & Julie Westall.

Motion AGM 04/14: It was moved by Jim Thompson, and seconded by Paul Reibin, that the Accounts for FY 2012-2013 be accepted and recommended to Council for approval. **Carried**

ITEM 10: Approval of FY 2014-2015 Budget 2013/2014.

The Budget Report was presented by Jim Thompson and is attached as Annex AA. The budget is featured as the left hand column of the Summary of Operations, also at Annex AA.

Motion AGM 05/14: It was moved by Jim Thompson, and seconded by Bill Molnar, that the Budget for 2013-14 be accepted and recommended to Council in accordance with Bylaw 6.03, for approval out to end FY 2014/2015. **Carried**

ITEM 11: Approval of Actions of Council and Executive in FY 2012-2013.

The Vice-President called upon members to move, second and approve the actions of Council and of the Executive Committee during FY 2012/2013.

Motion AGM 06/14: It was moved by Alain Marion, and seconded by Chris Jones, that the actions of Council and of the Executive Committee during FY 2012/2013 be approved.

Following the motion, Don Hall raised a concern regarding the expenditure of funds from the Millennium Fund that were outside the fund terms of reference. This issue was initially raised at the 2011 AGM. In the subsequent discussion, it was noted that this item had been reviewed by the Executive Committee, who had determined that the expenditure was within the TOR of the Millennium Fund.

Motion Carried

ITEM 12: Report of the Honours and Awards Committee.

Mr Colin Brown, Chairman of the Honours and Awards Committee, reported that this committee had no items to report.

ITEM 13: Nominations for the Nominating Committee.

The Vice President called upon the Chairman of the Nominating Committee to propose nominations for election. The Report of the 2014 Nominating Committee is attached as Annex AB.

Motion AGM 07/14: It was moved by Peter Westlake, and seconded by Gary Bowman, that BGen R. R. Romses (Ret'd) be acclaimed as President and Chairman of Council. **Carried**

Motion AGM 08/14: It was moved by Peter Westlake, and seconded by Jim Thompson, that Des Vamplew be elected as Executive Vice-President. **Carried**

Motion AGM 09/14: It was moved by Peter Westlake, and seconded by Gary Bowman, that Dr. Jim Thompson be acclaimed as Comptroller and Deputy Chairman of Council.

In subsequent discussion, Don Hall stated as far back as the AGM in 2010, the need for younger blood on the Executive Committee had been noted in the minutes. Des Vamplew explained that while the requirement had been identified, there was not yet a suitable person available to take over the Comptroller position. Further, due to the change of book keeping software, it was not a good time to change incumbents. In essence, one more year of continuance would be a good thing.

Motion carried unanimously

Secretarial Note: The nomination of Dr Thompson for the position of Deputy Chairman of Council is forwarded to Council for approval.

Motion AGM 10/14: It was moved by Scott McGinnis, and seconded by Steven Spinney, that the ten people listed at Annex AB, be acclaimed as Council Members-at-Large with terms expiring in 2016.

Motion carried unanimously

Motion AGM 11/14: It was moved by Leo Poulin, and seconded by Gail Garland, that Peter Westlake, Pat Vamplew and Steven Spinney be elected to the Nominating Committee. **Carried Unanimously**

Motion AGM 12/14: It was moved by Peter Westlake, and seconded by Bill Molnar, to affirm the Provincially Appointed Vice-Presidents and PRA Designated Members of Council as listed at Annex AB. Exceptions are to replace the PRA Designated Members of Council from Quebec and New Brunswick with R. Fortier and M. Lutz respectively. **Carried**

Motion AGM 13/14: It was moved by Peter Westlake, and seconded by Bill Molnar, to affirm the Honorary Appointments of the Patron, Vice-Patrons, Honorary President and Honorary Vice-Presidents as shown at Annex AB. **Carried**

ITEM 14: Date of next AGM

The Vice-President advised that the next AGM would be held on 28 March 2015, in Connaught. Discussion ensued regarding conflict with Spring Break. 28 March 2015 agreed upon.

AGM MINUTES

ITEM 15: *New Business*

F-Class World Championship. Paul Reibin read an open letter to DCRA executives recommending that, as the founding nation of F-Class, Canada should host the World F-Class Championship every four years. Following discussion noted that while F-Class was initiated in Canada, it has now grown into a popular, internationally recognized sport under the auspices of ICFRA. Consensus was that it would be detrimental to the sport to limit the world championships to a single nation. Rather, to grow the sport, it was best to provide maximum international exposure by rotating the championship every four years in the same manner as other fullbore world championships. The Chairman requested that Serge Bissonnette and the DCRA F-Class Committee examine this issue and respond to both the Executive Committee and to Paul Reibin.

150th Anniversary Organizing Sub-Committee. The Chairman identified a pressing requirement for the Executive Committee to form a sub-committee to examine plans for the 150 anniversary of the DCRA.

Rules for new Shooting Disciplines. The Chairman stated that Council needs to examine the requirement for new rules to cover shooting disciplines not currently included in our rule book (CQB).

ITEM 16: *Adjournment*

Motion AGM 14/14: It was moved by Bill Molnar and seconded by Alain Marion that the meeting be adjourned.
Carried



We now serve breakfast!!

A great place to have your team dinner!!

Monday to Friday 7:00am-11pm

Saturday and Sunday 8:00 am to 3:00 pm

For reservations call 613-721-0227

www.zolas.ca

BUFFALO ARMS



**They didn't have Buffalo Arms Co. to rely on back then,
but you do!**

The toy store for Black Powder Cartridge Shooters.

**Your one stop shop for old, obsolete and hard to find
reloading accessories.**

Catalog

\$12 PPD Canada \$5 PPD US

Please provide funds in US Currency

660 Vermeer Court

Ponderay, ID 83852

(208) 263-6953 M-F 8-430 Pacific Time

SEMI ANNUAL GENERAL MEETING MINUTES

Semi Annual General Meeting 17 August 2014 Connaught Rifle Ranges, Ottawa, ON

Chairman: Dr. J.C. Thompson
Recording Secretary: Keith Bornn
In Attendance:

Des Vamplew	John Chapman	Steve Hunt	Ric Melling
Steven Spinney	Jacques Dugas	LCol (Ret'd) Bill Molnar	Peter Westlake
Daniel Chisholm	Pat Vamplew	Roger Mullin	Gary Bowman
Bob Pitcairn	Paul Reibin	Stan Frost	Murray Sloane
Bill Kedziora	Roger Romses	Michael Lutes	Marc Landreville
Tony Betts	Scott Bissett	Barry Price	Kenny Proulx

ITEM 1 Opening Remarks

1. Jim Thompson opened the 132st Semi Annual General Meeting. He welcomed all in attendance on behalf of the President and read remarks from BGen (Ret'd) Ray Romses. The text is attached as Annex A.

ITEM 2 Approval of the Minutes of the SAGM of 18 August 2013

Motion S01/14 by Paul Reibin to approve the minutes of the Semi Annual General Meeting held 18 August 2013 as published in The Canadian Marksman. Seconded by Jacques Dugas. **Motion CARRIED.**

ITEM 3: Report on Events

2. **2014 Bisley Team:** John Chapman thanked the DCRA for the opportunity to lead the team. The team performed well in all the matches and thoroughly enjoyed themselves. He thanked Ray Romses and Murray Sloane for their contributions to the team. A full report with pictures will be published in the upcoming edition of the Canadian Marksman and is attached as Annex B.

3. **2014 Commonwealth Games Fullbore Shooting Competitions:** Pat Vamplew briefed the assembly on the performance of the team and the sequence of events leading up to the silver medals. Pat thanked the DCRA for their support to the team. Des Vamplew then thanked brother Pat for his guidance and leadership. A full report will be published in the upcoming edition of the Canadian Marksman.

4. **2014 Jamaica Goodwill Team:** There was no one in attendance to give this report.

Item 4: New Business

5. Paul Reibin requested that the CFRC entry forms, programs and course of fire be included as an insert in the Spring edition of the Canadian Marksman. Sec-Treas to action.

6. John Chapman advised that there is a movement afoot to exclude shooting from the next Canada Winter Games. At least one of the potential host cities are apparently not including shooting in their schedules, however the Canada Games Committee is fighting for inclusion. Fullbore shooting has also been added to the schedule of the next Olympic Games.

7. Jacques Dugas requested that on the range when re-squadding is necessary to form threesomes, that the younger shooter be moved in deference to the older competitors. The CRO noted and will action the request.

8. Pat Vamplew requested that the CFRC entry form be amended to indicate shooting position so that left-handed shooters can be squadded on the right of each threesome. Daniel Chisholm advised that this information was already on the entry form but had not been considered during squadding. During subsequent discussion, Steven Spinney stated that space and firing point positioning were issues best left to shooters to resolve on the firing point.

9. Ric Melling expressed some displeasure with the meet & greet, objecting to the casualness of the affair, the poor quality of the food and the poor lighting. During the ensuing discussion it was noted that poor attendance, particularly by Canadian members, had forced the staff to re-examine the level of service during this event and lower the costs to prevent financial loss. The Chairman asked that the Sec-Treas examine costs for the 2014 Meet & Greet and seek ways to encourage better attendance. Dr. Thompson suggested that we ask in the Marksman what people want for the Meet & Greet.

10. Dr. Thompson announced the match committees.

SEMI ANNUAL GENERAL MEETING MINUTES
--

Black Powder National Championships

Chris Jones	Sandy Post	Gerry Bergeron
John Adams	Frank Monikowski (non-voting observer)	

F-Class National Championships

Kenny Proulx	Matt Wolf	Scott Bissett
Eric Bisson	Bill Watts	

Target Rifle National Championships

Peter Redstone	Donald Pitcairn	Jeff Jenkins
Tony Betts	Pierre Tremblay	

F-Class America Match

Kenny Proulx Mid Tompkins Paul Reibin

America Match

Match Executive Officer – Jim Thompson - Match Committee Member
 Match Chief Range Officer – William Kedziora – Match Committee Member
 Match Director – Keith Bornn – Match Committee Recording Secretary

The Sec-Treas noted that a review of the America Match rules had indicated that the Match Committee was to be composed of a Match Executive Officer, appointed by the host nation, the Match Chief Range Officer and one other delegate from a non-host nation. At Council, Dr Jim Thompson had inappropriately been appointed as Canada’s delegate to the Match Committee.

Motion S02/14 by Gary Bowman that Council be requested to approve a change of appointment for Dr. Thompson from Canadian Match Committee Delegate to Match Executive Officer. Seconded by Steven Spinney.

Motion CARRIED

11. Adjournment

Motion S03/14 by Bill Molnar to adjourn the meeting. Seconded by Paul Reibin. **Motion CARRIED**

	WE ARE HIRING	
<p>The Dominion of Canada Rifle Association is inviting applications for the position of Secretary-Treasurer and Match Director. The association headquarters is located on the Connaught Ranges near Shirley’s Bay, in Ottawa, On.</p> <p>The Sec-Treas/Match Director is the senior position in a small office. The position manages the DCRA office and the association’s corporate affairs as well as organizing/conducting the various national championships. This person is responsible for liaison between the association and external agencies including the military, provincial rifle associations, other national and international shooting bodies, and government and non-government agencies. Candidates will require strong personnel management, interpersonal skills, organizational abilities and motivation. The hours are part-time most of the year but grow to full-time during the competition season in August and early September.</p> <p>Experience in one or more of these areas would be an asset:</p> <ul style="list-style-type: none"> ● Fullbore target rifle competitions ● Shooting sports ● Military background ● Sporting event management at a national level ● Functionally bilingual ● Small office management; ● Amateur sporting association management ● Proficiency in Microsoft Office (particularly Word & Excel) <p style="text-align: center;">To apply or for further information, please contact Keith Bornn at 613 829-8281 or by email at kbornn@dcra.ca or office@dcra.ca</p>		

SERVICE CONDITIONS HALL OF FAME

Some 14 years ago, the DCRA initiated the Service Conditions category of the Shooting Hall of Fame. At that time, a records search determined that six people should be retroactively inducted. Legendary shooters such as Ron Surette, Joseph Daigle, Jacques Dugas, Ken Ferguson, Laval Mercier, and Keith Cunningham were inducted in that first year. Since then very few shooters have made it into this elite group. In 2013, Dave Oakie was inducted.

The DCRA Hall of Fame Committee set the standard for induction extremely high. To be considered, a shooter would require years of participation in provincial, national and international competitions, and display a level of proficiency that would make Wayne Gretzky envious.

The 2014 inductee was Cpl Ryan Steacy, a member of the British Columbia Regiment, 39 Brigade in Vancouver, started shooting Service Rifle in 1994. Both his father and uncle were shooters. His uncle competed at Bisley with the Black Watch in the '60s. Ryan is currently the British Columbia Rifle Association Service Rifle record holder and twelve times between 1998 and 2013 has been named BC Service Rifle Champion, setting records in 2011 and again in 2013. Also proficient in Service Pistol and Tactical Rifle, he was named the BC Service Conditions Champion (Rifle and Pistol combined) in eight of those years and BC Tactical Rifle Champion (precision/sniper) in 2004 (overall), 2005 (team), 2006 (military), 2011 (military and team).



In 2007 Ryan was the recipient of both the Des Burke Award and the Borden Memorial Cup, while in 2009 he was the NSCC CF Champion finishing third overall in the open class. He has been a member of the CF National Team to Bisley on three occasions and in 2010 was the winner of the prestigious Queen Mary Match. He was the winner of the Queen's Medal in 2007 and 2009 for Champion Shot in the Regular and Reserve Force at Bisley. Three times Ryan has participated in the US Armed Forces Skill at Arms (AFSAM), placing second in 1997 and winning the President's Trophy in 1999.

To put this lifetime performance into perspective, two of these many accomplishments are of such stature that they would have virtually guaranteed him automatic induction into the Shooting Hall of Fame. Adding to this list, at NSCC this year, Ryan won the King/Dundonald Trophy, the Sherwood Cup, the Borden Memorial Cup, DCRA 550 & 750 Badges, the Helmer Memorial Trophy, the PPCLI Service Rifle Trophy, and the NSCC Grand Aggregate Trophy.

Ryan was chaired into the hall to a standing ovation and following the prize presentations and champagne shower, Mr. Keith Cunningham presented him with his HOF Induction Certificate.

*Keith Bornn
NSCC Match Director*

PRA REPORTS

ROYAL NEW BRUNSWICK RIFLE ASSOCIATION

2013 was a dynamic year for the RNBRA which included many challenges and much positive accomplishment for our Association due to the commitment and dedication of the people involved in promoting shooting sports in New Brunswick.

As you may be aware the RNBRA is recognized by our provincial gov't as the sport governing body for all shooting sports in New Brunswick. As the overall governing body, we are responsible for promoting various shooting disciplines and our Governing Board includes representatives from each Section that is active within our Association. While the Fullbore Section is stable and the IPSC Section has been growing, unfortunately many of our Sections have been inactive or non-affiliated for several years.

I am pleased to be able to report that in the fall of 2013 we were able to regain the confidence of the active Airgun clubs and again have a provincial Airgun Section who are currently involved in an aggressive program to develop a provincial Airgun team to compete in the 2015 Canada Games. We currently have several other opportunities to activate dormant Sections and these are being explored as time and resources permit

Due to the unexpected retirement of our President and the resignation of our first and second Vice Presidents as well as the Treasurer I have been appointed Interim President, as per our constitution and bylaws, by the Governing Board of the RNBRA. As you might imagine this unexpected development has created management challenges that I am proud to

say our Governing Board has dealt with in a positive and proactive manner.

Highlights of our 2013 year include, having 89 regular & 3 life members, 3417 affiliated members and 27 affiliated clubs, two of our members are life members to the DCRA, we assisted one of our affiliated clubs to host the IPSC Nationals, the IPSC section continues to promote and support an active program and we were also successful in restarting our Airgun Section. Our Fullbore section carried out a busy summer program and broke new ground by using Silver Mountain e targets to good effect during our shoots. The Fullbore section has decided to purchase several of these systems as they allow us to conduct shoots without target tenders and use range facilities without target pits. We see the potential to grow Fullbore shooting by employing this type of system as competitions can be held on much less costly range facilities.

In 2013 RNBRA shooters competed in various matches hosted at Bisley by the NRA, New Zealand, Ottawa by the DCRA, in Ottawa by the NCRRA, and in the Atlantic Provinces. The Fullbore section also hosted the annual Mini Palma match this year. This match is over 30 years old and pits a team from the Maritime Provinces against a team from the north eastern United States held alternately in the Maritime provinces and north eastern US.

We continue to work closely with the PEI and the NSRAs in the development of our summer Fullbore program

and provincial championships. There are ideas being brought forward for discussion about merging the three provincial programs in order to boost participation. Discussions are still in the exploratory stage but may become more pertinent if we cannot attract more competitors. The RNBRA Governing Board is united in their desire to grow shooting sports in New Brunswick specifically and Canada generally and are looking for ideas in order to develop initiatives that we can implement.

In N. B. our shooting community has been fractured and often politically ineffective due in large part to our inability to hold together an association of shooting sports enthusiasts who also happen to be some of the most independent, self-sufficient and not easily led people in our society. This inability to work together to promote and support all shooting sports has resulted in the general decline of competitive shooting sports for over 50 years. To ignore this and continue business as usual is to condemn shooting sports in our society.

We are challenged to find ways to encourage cooperation among the people shooting various disciplines of shooting sports. We applaud the strength in our affiliated clubs but we must find ways to draw that strength into the RNBRA as regular voting members in order to capitalize on the intelligence and energy that is so evident in our fractured community.

*Michael Lutes, Interim President
Royal New Brunswick Rifle Association*



www.sierrabullets.com

NOVA SCOTIA RIFLE ASSOCIATION

PREAMBLE

2013 was a busy and thriving year for the Nova Scotia Rifle Association. We had increases in the size of our membership and the number of participants taking part in our marksman-ship related disciplines.

FULLBORE TARGET RIFLE

In 2013 all Fullbore Target Rifle activities were held at our 800 meter Bull Meadow facility. TR Shooters and F-Class (mostly F-TR) shooters shot shoulder-to-shoulder on the same targets, with the F-Class shooters converting V's to 6's and each class having their own series of awards. This method of conducting competitions has proven to build healthy relationships, respect and support among the various shooting disciplines.

TR matches held at Bull Meadow Range included the Kennedy, the Inter-Maritime Trials, the Victoria Day Match, the Canada Day Match, the Purdy, the Sierra ISSF Match, the Irish Cup Match, the Elliott Campbell Memorial Match, the Long Range Match along with the 139th Annual Prize Meet.

Nova Scotia hosted and won both the Inter-Maritime Match and the British Team Match in 2013.

All matches were well attended with an increasing ratio of F-TR shooters to TR shooters.

NSRA had one member on the Canadian Bisley Team, Jeff Jenkins in 2013. Three NSRA F-TR shooters attended the F-Class World Championships in Raton, NM – Andrew Weber, Wendy Reid and Ron Hilchey, where Ron won a silver medal in the 900 yard match on Day 2 of the competition.

HUNTING / OPEN RIFLE

The 2013 outdoor season was well attended. Activities were scheduled on a regular basis at our Bull Meadow facility. This Section has proven to be an effective vehicle to attract new shooters into the Association. Once new members joined our Association and participated in organized 'open' practices, they were encouraged to try their hand at the competitive disciplines. This method has proven to be effective.

SMALLBORE

The Provincial Indoor Championships were held in Stellarton in April at the Pictou County Military Rifle Association range. The Provincial Outdoor Championships were held at Bull Meadow range in May. Three 50 meter matches and three 100 meter outdoor matches were held, one of which was a 'benchrest' match. 'F' Class Smallbore has now been included in all matches along with traditional Sporting, Match and Practical (Hunting) rifle, and has proven to be quite popular. The Smallbore program has again proven to be a good launch pad into other shooting disciplines for new shooters.

SERVICE ARMS

All regular Service Rifle and Precision Rifle competitions were held at the Bull Meadow Range. In total there were five of each. In 2013 the NSRA / Navy Challenge was reintroduced after a three year hiatus; this Service Rifle competition was shot at the Bedford Rifle Range. It was well attend by MARLANT, NSRA, local Canadian Forces reservist and some local police units.

Two of our Service Rifle competitors, Edward and David Ferguson, were members of the Canadian Forces Team to Bisley and competed in the 2013 CFSAC. At the CFSAC, Ed Ferguson won his first Queen's Medal for the Reserve Forces, with his brother David placing second. Ed was the top shot in the both the Reserve Forces and Regular Forces.

Introductory Precision Rifle sessions were conducted at Bull Meadow Range in the Spring of 2013 for members interested in shooting that discipline.

HANDGUN

All NSRA weekly matches were conducted at the Associations Bull Meadow range facility. Four major competitions were held. These were the 'McDonald's Challenge', the 'Bob Sirtonski Memorial Match', the 'Aubrey Gammel Memorial Match' and the Nova Scotia Provincial Handgun Championships. The Provincial Championships were well attended attracting competitors from a number of

other shooting clubs as well from professional police and security agencies.

CADET/DND ACTIVITIES

In 2013 NSRA did not provide any direct support to the Canadian Cadet program. However the Shooting Federation of Nova Scotia, the Provincial Sport Organization for Target Shooting, has been holding Coaching Certification courses for Cadet Instructors and Cadets have been attending Provincial Airgun Championship matches.

PROMOTION and MEMBERSHIP

In 2013 the Association continued to promote its activities by operating its telephone based information service, its website and publishing our 'On Target' newsletter.

NSRA membership again showed an increase in 2012-2013 from the previous year. For the year ending October 31st, 2013 our membership increased by 24 to 145 individuals.

RANGE STATUS

With 2005 marking the completion of the key elements of our Bull Meadow Range Complex, 2013 was another year of continuous improvement with enhancements and maintenance projects. We now have operational a twenty position covered 50 meter handgun-smallbore rifle 'B' range, a ten position 100 meter general purpose 'C' range and a three station modified trap 'D' range for shotgun. Along with the 'jewel' of the complex, the 800 meter 'A' gallery range with seven position firing lines at 100, 200, 300, 400 500, 600, 700 and 800 meters.

The ranges were well used in 2013 with a full slate of organized program activities. As well, unlike military ranges, members can book and perform their own personalized practice sessions at the Bull Meadow ranges.

With our own 800 meter 'A' Range, it has allowed us to fully support Target Rifle, F-Class, Service Rifle and Precision Rifle activities without any unplanned restrictions and interruption to schedules, as has been experienced on other ranges in the past.

Fundraising and work is ongoing to provide for esthetic and operational enhancements.

NOVA SCOTIA RIFLE ASSOCIATION

GENERAL

For the year 2012-2013, NSRA obtained its liability insurance from the National Firearms Association. Twelve NSRA members received Range Safety Officer training in March of 2013. The Association substantially completed an Operations Manual in 2013 which collected together documents to assist in running the organization. This should prove helpful with succession management and consistency in the delivery of programs. A project to compile, digitize and publish historic award records dating back to 1861 will be completed by the spring of 2014.

PROVINCE OF QUEBEC RIFLE ASSOCIATION

The season 2013 went well for all activities within the PQRA.

For the competitions, all of them happened according to plan. Numbers of participants stayed about the same as the previous year. We also had the pleasure to watch 2 of our members perform at the 2013 F-Class World Championship at the Whittington Center in Raton, NM. Congratulations to Marius de Champlain and Jonathan Laitre for this achievement. We also had shooters in the top at the Canadian Championship in August at Connaught.

One of the problems at PQRA is to find some volunteers to open the range for practice. Out of the 75 members, only a handful are able to operate the range according to military requirements. This is something we need to focus on in the near future. Also, the number of members has stayed the same in the last 3 years. We are going to work on recruiting new members for the 2014 season. An initiation to long range shooting is schedule in May, with rebate for new members, and we asked our members to spread the word about F-Class shooting and bring friends and family.

The electronic target system project is progressing. Since the range we use at CFB Valcartier will be renovated from the ground up in 2020 and that they will remove the traditional target system, we had to come up with a long term solution to insure we could continue our operations. After evaluating different systems in the last 2 years, it was decided that the Kongsberg system out of Norway was the one to go. However, there is still some issues to sort out before PQRA buys 6 targets (enough to hold a complete weekend of competition), namely some target availability (with ICFRA targets face) and also financial consideration. At nearly 10k each, this is a big investment for our rather small organisation.

As President for the last 3 years and implicated in the last 4, those last years were full of challenges. I am stepping down as President, and I wish the new President good luck with the work ahead. Bringing out new members and the electronic targets are the 2 priorities to work on.

*Jean-Charles Marcoux
Président ATPQ/PQRA*

L'année 2013 s'est bien déroulée dans l'ensemble des sphères de l'ATPQ.

Au niveau compétitions, nous avons tenus toutes compétitions au calendrier. Le nombre de participants est demeuré à peu près au même niveau que par les années passées. Nous avons également eu des tireurs de l'ATPQ qui ont participé au US F-Class Championship et 2013 F-Class World au NRA Whittington Center, Raton, NM. Félicitations à Marius de Champlain et Jonathan Laitre. Plusieurs tireurs se sont également illustrés lors du championnat canadien tenu en août 2013 à Connaught

La problématique du manque de bénévoles devient un handicap pour l'ATPQ. Ayant environ 75 membres (pas tous actifs) il devient de plus en plus difficile d'opérer le champ de tir. Une stratégie de recrutement devra être mise place afin d'assurer la pérennité de notre sport.

Malgré les efforts mis de l'avant au cours des dernières années pour attirer de nouveaux tireurs, le taux d'adhésion a monté, mais redescendu cette année. Les deux journées Extrême-Précision ont permis d'apporter un regard nouveau sur la discipline et d'initier quelques nouveaux tireurs.

Le dossier des cibles électroniques demeure une priorité pour l'ATPQ au cours des prochaines années. Par contre, la réfection des champs de tir utilisés par l'ATPQ n'aura pas lieu avant 2020. Cette marge de manœuvre dans le temps permettra à l'association d'élaborer une stratégie de financement pour faire l'achat et l'entretien d'un tel système.

Les technologies des cibles ont été évaluées par un comité de l'ATPQ et les recommandations sont sans équivoques. Le système Kongsberg répond à plusieurs exigences de notre discipline. Par contre, il demeure des questions qui doivent être répondues en lien avec la programmation du système et les besoins des utilisateurs quant au déroulement des compétitions.

À titre de président depuis 3 ans et impliqué au niveau du CA depuis 4 ans, ces dernières années ont été une aventure enrichissante, malgré plusieurs embuches et démissions. Je souhaite que l'équipe qui prendra la relève saura mettre en place des outils de rétention, tant au niveau des membres que des administrateurs, tout en mettant en place une stratégie de recrutement réaliste et efficiente pour l'avenir de l'ATPQ. Le dossier des cibles électroniques demeurera un sujet d'actualité pour 2014 et j'ai confiance que la relève saura prendre les bonnes décisions pour l'avenir de notre sport.

*Jean-Charles Marcoux
Président ATPQ / PQRA*

TANGENT θ THETA

RIFLE TELESCOPES FOR PROFESSIONAL MARKSMEN



5-25x56mm Model TT525P



3-15x50mm Model TT315M



3-15x50mm Model TT315P



Master Distribution by: **Armament Technology**
INCORPORATED

3045 Robie Street, Suite 113 Halifax NS B3K 4P6 www.armament.com

NATIONAL CAPITAL REGION RIFLE ASSOCIATION

NCRRA membership for 2013 was 292 shared by the TR, F-Class, Target Pistol, Service Pistol, Black Powder and Shotgun. We have ceased our previous policy of a lower priced first time new member category. There is no strong evidence that the initiative was very effective in keeping the low priced members in the second and subsequent years. There was a concern that some new people were using the system simply to cheaply obtain ATTs.

The Shotgun Section has regained a more solid financial footing following the steel shot scare and has returned to the regular NCRRA and DCRA fee schedule.

NCRRA was well represented as always on the 2013 Bisley Team. Our Service Pistol Team did extremely well at the DCRA National Service Conditions Competition

The Target Rifle, Pistol F-Class and Shotgun Sections held their regular competitions on the Victoria Day weekend.

At the Victoria Day Matches, the Target Rifle field included 34 competitors and the F-Class 21 shooters.

Target Pistol conducted the Don Moore Memorial Match on Victoria Day weekend. There were 34 competitors.

During the year, TP also ran eleven basic marksmanship sessions to ensure new shooters were learning the basics of slow, time and rapid fire.

The Long Range Match in June included 17 Target Rifle competitors and 36 F-Class shooters who were participating in the Third Eastern Canada F-Class Regionals. The Matches were well received by competitors.

The Service Rifle and Service Pistol Sections are quite small but very active. Several Rifle members participated in the ORA Service Rifle Matches which they also helped to run. One Service Pistol member participated in the DCRA National Ser-

vice Conditions Championships, winning two of the matches in the Open Class.

Members of NCRRA's F-Class Section attended the 2013 World F-Class Championships in Raton, New Mexico. Slightly fewer than 500 shooters took part. Canada's F T/R team, coached by two NCRRA members and shot by one, took second place to an American winning team. The F-Open Team placed 5th overall. As the 2017 F-Class Worlds will be held at Connaught Ranges, it is anticipated that there will be considerable interest in competing here in the next three years.

The Shotgun Section hosted four skeet tournaments in 2013, including a sold out (75 shooters) Canadian Skeet Championships which was a huge success. We hope to win the bid to host it again in 2015. Sporting Clays held two tournaments, both well attended. The annual Capital of Canada was poorly attended at 25 shooters. One reason is the restrictions placed on the camping facilities at Connaught. Five members attended the World Skeet Championships in Texas. Twelve attended the Ontario Provincial Skeet Championships in Oshawa. The Section has invested in wireless field remotes and a lawn tractor. In 2014, the Section plans to be open for shooting more than the current twice a week to provide the required service to members.

The newly acquired Electronic Target Systems have gone into use and despite some growing pains, have eased the ongoing marker problem somewhat. The known number of practice targets provides for smoother practice sessions, especially on week day evenings. The issues concerning software and hardware were worked on diligently, mainly by Ian Robertson with the occasional input by Dan Chisholm, the system provider. The system has not yet been used for competitions but there are plans to use them for Club competitions.

NCRRA members attended PRA matches in Ontario and Quebec.

Seven members attended the Canadian Fullbore Rifle Competitions, winning several Club Matches and placing three in the top 18 of the Canadian Target Rifle Championships, qualifying them for the 2014 Bisley Team.

Renovation of the NDHQR Clubhouse is still on the books but the DND financial restraints are delaying any work.

Serge Bissonnette will continue his new shooter's program on Thursday nights and we anticipate that it will be as successful as in past years in attracting interest and slowly building the new member slate. The Pistol Section has been very active in providing training to the many new shooters who have just joined and is also pro active in training and testing Range Safety Officers for duties in running the Association's range operations.

The members of NCRRA would like to thank the DCRA office staff for their ungrudging assistance throughout the year, the staff of CRPTC for their understanding and flexibility with respect to our use of Connaught Ranges, and of course Mrs Stewart for her unfailing and generous support to members of DCRA and the PRAs.

*WJ Molnar
President*

ONTARIO RIFLE ASSOCIATION

The Council has met 3 times since the last AGM. I am thankful of the work that has been done and continues to be done by the council. I would like to thank some key people who have positioned the ORA in good standing going forward. I would like to offer my sincere thanks to Edith Vamplew, Deen Mohideen and Bruce Bullock for guiding the finances of the ORA and ensuring that we are a strong organization moving into 2014. I would also like to thank our match directors Rudy Paladina who has stepped down in 2014 to concentrate on shooting. I would like to thank Rudy for all his years of service in running a well-oiled precision program. I would also like to thank Bob Raymond for continuing to foster new memberships through his Intro program. Many attendees from the courses only have good things to say and the program continues to thrive under Bob's leadership. I would also like to thank Tim Kagetsu who continues to run a successful Service/CQB program as many new shooters have joined due to Tim's hard work.

I would like to thank our President Adrian Praysner for all his efforts in guiding the Association in 2013 as this year had many trials and tribulations that needed to be resolved. His leadership came to the forefront this fall.

2013 was another successful year for the ORA, as we had a full program that was enjoyed by all disciplines. I would like to thank key contributors to our Association who made 2013 another success- The Governor General, His Excellency the Right Honourable David Johnson, The Lt Governor of Ontario The Honourable David C. Onley, The Macdonald Stewart Foundation, The Ontario Council of Shooters, The DCRA, all of our corporate sponsors, The Base Commanders from CFB Borden, Petawawa, King-

ston, LFCA and The Army Cadet League of Canada.

2013 had many highlights as Fazal Mohideen Vice-Captained the Canadian Rifle Team to Bisley as many Ontario residents were part of a successful team. The Canadian Team won the Overseas Match in Bisley. Pat Vamplew was the top Canadian in the Queens Final followed by his brother Des.

The F-Class team to Raton was captained by Bruce Condie and the team enjoyed many individual successes during their trip.

The ORA Annual Match had a much lower attendance than in previous years due to time commitments for competitors that went to Bisley and Raton. The match was still a success as Fazal Mohideen and Bob Raymond won the Ottawa Aggregate and Grand Aggregate. Roger Romes and Leo D'Amour duplicated their efforts from 2012 and captured the Lt. Governor's Award. I believe this was Rogers 4th trip in the chair.

The Ontario Team to Ottawa was captained by Peter Westlake and once again Ontario was victorious in winning the Team Pennant and the London Merchant's team match. There were many Ontario residents who captured major awards at the DCRA. Well done to all.

The ORA also ran into safety issues in 2013. During the fall month one of our members discharged his firearm and seriously injured his leg with the bullet leaving his foot. This was the first incident like this for the ORA in a very long time. I am very delighted to hear that the member that was injured has fully recovered. I am also very proud of

the individuals that were on the ground looking after the range that day as they were fully prepared and handled the wounded member with efficiency and great care. The Military Police at Borden stated that the personnel that looked after the range showed great professionalism and handled the situation perfectly.

Moving into 2014, I cannot stress how important safety will be to the Association at all ORA sanctioned events. We cannot have another safety infraction like this again. We all must be vigil in our Range Safety briefings, clearing the firing points carefully and effectively during good or bad weather. Safety is everyone's concern and if a incident like this happens again, the ORA will not be so lucky the second time around. Using these military facilities is a privilege and not a right, therefore we must run a safe event or the use of these facilities will be no more. I plead all members that are competitors and range organizing staff to assist each other and ensure we run a totally safe program moving forward.

In 2014 the ORA will be welcoming the British Rifle Team as they shoot our long range matches prior to departing to Camp Perry. We are putting together a very competitive two day match which will also include a team match.

To date CFB Borden has given the ORA its full schedule. This schedule will remain tentative as we could get bumped from the ranges if the military has programs running for training units. We look forward to a busy summer and I look forward to seeing all of you on the ranges in 2014.

*Fazal Mohideen
ORA Chairman of Council*



MANITOBA RIFLE ASSOCIATION

MPRA members are still managing to travel the world, even though travel is getting very expensive. Members travelled to UK, Arizona, Raton, Sacramento, Barbados and Camp Perry.

2013 was another successful year for both high power and smallbore. 3 Members travelled with the Canadian F-Class Team to the USA Nationals and World Championships and 2 members went to Barbados as members of the Canadian team for the Australia match. We also hosted a very successful Western F-Class Championships and the Provincial High power Championships.

Frank Lalear won the Provincial shoot, the first time a non-Manitoban has won for nearly 20 years.

The Sierra shoot was also held and we had a good turnout. Some shot very well and I didn't. Our thanks go to Sierra Bullets for their continued support and bullet donation.

Our 5-year agreement with 17 Wing has been signed. We now have to wait and see how long the range will remain where it is because the City

and Province want the land to put a new road through it. Watch this space or go into suspended animation. We lost a few range dates but overall we do very well with our range allocations and have a great rapport with 17 Wing.

We are pleased to announce that John Chapman and Murray Sloane have accepted the positions of Vice Commandant and Adjutant respectively, to the 2014 Canadian Bisley Team under Commandant Ray Romses. Manitoba will also be represented by Ron Dawson, Bruce MacDonald, Gerry Wiens and Darrell Grant on this Team.

Relationships with the Cadets seem to be improving. We have four Cadet units using our Air Rifle Range and 2 of their coaches working very closely with us and some of the Cadets are now trying out for the 2015 Canada Winter Games Team. This being said, the Prairie Region Cadets do not use our expertise as much as they could.

Our membership still increases annually and we still have great success

through the City Leisure Guide advertising gaining nearly all our Air Rifle Novice Course participants through this media. We have just completed a Strategic Plan for the MPRA and have already achieved some of our goals in a very short time. We are about to move into a new range building and have purchased 10 electronic Air/.22 targets.

Our financial lifeline still lies with the funding we receive from Sport Manitoba and the Manitoba Lotteries and our thanks go to both these organizations for their continued support and assistance.

We would offer best wishes to Mrs. Liliane Stewart and the MacDonald Stewart Foundation and express our sincere thanks and gratitude for their continued support. Thanks also go to the Department of National Defence and also the staff of the DCRA for all their hard work, support and assistance.

*John Chapman
President MPRA*

SASKATCHEWAN PROVINCIAL RIFLE ASSOCIATION

SPRA hosted its usual complement of matches at the North Star Range near Nokomis in 2013. Numbers were down in most events but up in the Prairie Provinces Rifle Association Championships. One small group of intrepid adventurers shot an ultra-long range event at 1,000, 1,100 and 1,200 yards. Reports of these last two events have been published in the fall Canadian Marksman. F-Class shooters outnumbered TR shooters in all events. Because of the continuing growth of F-Class, we have developed a classification system for F-Class, which will be implemented in 2014.

We are planning the same schedule of events for 2014 and the schedule

and entry forms are now available on the SPRA web site www.saskrifle.ca

One member joined the DCRA team to the Barbados in the spring and one member joined the 2013 Canadian Rifle Team to Bisley. One member attended the F-Class World Championships in Raton as an individual. Members also attended the APRA and MPRA annual prize meetings, the Canadian Championships and, more recently, the Berger Southwest Nationals in Arizona.

We are continuing to test electronic targets but have not yet used them in a formal match.

We have assisted with scoring in two

cadet matches and one biathlon match this winter. We now have contact with 58 cadet corps and are running a cadet postal match.

We have started a membership drive through various gun shows around the province and have signed up over a 100 new members.

In closing, we would like to thank SaskSport, the DCRA office and especially Mrs. Liliane Stewart for her continuing interest and the support of the MacDonald Stewart Foundation.

*Doug Potter
President*

BRITISH COLUMBIA RIFLE ASSOCIATION

British Columbia continues to provide a diverse active shooting program. A number of our programs and new initiatives were very successful in 2013.

The Under 25 Savage Palma Rifle program saw our first TR/Palma entrants in 2013. This program provides the opportunity for cadets, former cadets and others to acquire at a reasonable cost a new TR/Palma rifle and continue their shooting activities at the Provincial level. We are now seeing BC NRT cadets acquiring rifles and practicing with our association in preparation to their NRT Bisley tour. We hope to expand upon this in the future and also offer them a shooting venue once they return from their Bisley experience.

BC Service conditions matches were very well attended both by units of the reserve force and civilians. Three regional along with a Provincial championship are offered. We have some advance word that we can expect regular force units to participate

in 2014. This will be a big boost to this program. On practice days TR, F-Class and Service conditions all are able to take advantage of the available range time.

We continue to work with some civilian clubs to offer some of our program on the private civilian club ranges. This is normally in the Fraser Valley region and consists of 300 meter style shooting with the Sierra sponsored ISSF event being the highlight. We continue to explore this option with any clubs who are interested in participating.

The Western F-Class regional will be hosted by the BCRA during the July 1st weekend. Plans for this event are currently underway.

Our small-bore indoor winter postal program was expanded to include a 10 meter Air Rifle component. A number of local cadet corps took advantage of this in addition to their participation the DCRA program to hone their shooting skills in preparation for

the Pacific Region Cadet championship. We will continue to offer this program in conjuncture with the DCRA Air Rifle program and intend to expand it beyond the cadet movement and add a civilian component. This will include both adult and junior events. We are currently working on a system to add the use of electronic target scores to this postal event.

Our first experience with electronic targets occurred in 2013 with use on a practice basis. For the 2014 season we will be expanding our capability by adding a 2nd target which hopefully will allow us to use our electronic targets for smaller regional matches.

Finally; a very special highlight for the BCRA was having the Lt. Governor of British Columbia the Honorable Judith Guichon come to our Provincial Championship in August and award her prize personally.

*William D. Adams
President*

CIBLES
ÉLECTRONIQUES
CANADA



ELECTRONIC
TARGET
CANADA

www.electronictargetscanada.com

Electronic Targets Canada

Kenny Proulx

(514) 835-6474

info@electronictargetscanada.com

Exclusive Canadian Distributor of



133rd DCRA CANADIAN RIFLE CHAMPIONSHIPS & 4th F-CLASS NATIONAL CHAMPIONSHIPS

The big TR event in 2015 is the World Championships of Long Range Shooting from 3rd to 14th August at Camp Perry Ohio. Many of the finest TR shooters in the world will be there, including a large DCRA contingent which will shoot individually and also field teams in the Under-25, Veterans and Palma team matches. Our Canadian national TR championships immediately follow the Worlds with very little time to drive from Perry to Connaught; good luck and safe driving to those that shoot both.

Our **F-Class National Championship** enters its fourth year and by all accounts it looks like it is a success; the shorter 3-day course of fire seems to draw more shooters than we were previously getting with a 7-day event, and we are thrilled to see the steady growth in our F-Class attendance. Planning is underway to support 100 entries this year, which would be a very nice milestone to hit. And with us hosting the F-Class World Championships in 2017, we can expect our F-Class attendance to be substantially bigger than this in 2016, and especially 2017 where we will likely fill the range to its capacity.

In preparation for the World Championship matches, we will be using the ICFRA Long Range F-Class target in our 2015 F-Class matches.

Our TR event, the **Canadian Fullbore Rifle Championship** will be fired from Friday 14-August to Saturday 22-August 2015... and it should be mentioned that even though our F-Class championship is now separate from our TR championship, we continue to welcome F-Class entries in the CFRC matches. Our small number of F-Class shooters in the CFRC will be squadded amongst the TR shooters and will shoot on TR targets with TR scoring.

We are expecting 2015 to be a "lighter" year attendance-wise for TR shooters since the nearby World Championships matches will be the main draw. However we will put on a first-rate championships match and we hope you are able to come and shoot them.

Military requirements at Connaught mean that "A" Range is not available to us on weekdays. This means that we have had to make fairly substantial revisions in the TR programme, firing most of our "500" and "600" matches at "C" range 500 and 600 metres rather than on "A"-range in yards. It has also required some careful coordination of events on "C" Range, especially when TR, F Class and Black Powder are running simultaneously. Competitors will be allowed to drive vehicles downrange, using the "outer" range roads (the centre range road will be blocked). Parking will be available on the side of the outer range roads and also on the cross-road running behind the active firing point. This will allow all competitors to get within a hundred metres or so of their firing point. In addition, competitors with bona fide needs who have received downrange passes from the DCRA Office will be able to park even closer to their assigned firing point.

The CFRC will continue to be fired with **three shooters per target**, as we did in 2014, except for 2ss15 matches at long range, which we will continue to pair-fire.

- The Sierra Long Range Challenge at 900m will be fired 1st-Fri-PM and 1st-Sat-PM
- The Army & Navy Veterans match on 1st-Sat-PM, 2ss15 @ 900m

The 223/556 Championship will again be run on First Friday and Saturday, with six ranges from 500 yards to 900 metres. Those old dinosaurs should be content, others are welcome to join them.

At this time, the availability of **competitor housing on Connaught Ranges** is the same as in previous years, however this is something we always keep a close eye on and will be sure to advise competitors if any changes arise.

It has been necessary to make some small **price increases** to our match fees for FCNC, Black Powder Championships and CFRC. We have not raised any of our entry fees for many years now and many of our expenses have really grown over time, especially several increases to the Ontario minimum wage (up 7.3% in 2014 alone). We have found it necessary to make some small increases in our main match entry fees and we hope you are able to

**133rd DCRA CANADIAN RIFLE CHAMPIONSHIPS &
4th F-CLASS NATIONAL CHAMPIONSHIPS**

bear with them.

The **Macdonald Stewart Grand Aggregate** starts on the afternoon of Sunday 17 August and finishes the morning of Friday 22 August 2014. Good luck and good shooting to all!

Please consider attending our "**Meet and Greet**" reception on the first Saturday evening in the tent, a great opportunity for all shooters to gather socially at the end, or the start, of their competitions.

Please **get your entries in well before the 14 June 2015 deadline**. After that, we can only accept entries on a space-available basis.

I'm looking forward to seeing you in August, and would love to hear any comments, questions or suggestions you might have (email me at daniel.chisholm@gmail.com).

Daniel Chisholm

Chairman, Programme Committee

CIBLES CANADA TARGETS

Jocelyn Langlois

www.targets.ca cct@videotron.ca

Tel: 819-778-8857 Fax: 819-778-2647



Buy online on



[HTTP://STORES.EBAY.COM/OLYMPIC-MARKSMAN-EQUIPMENT](http://stores.ebay.com/Olympic-Marksman-Equipment)

**NATIONAL SERVICE CONDITIONS CHAMPIONSHIPS
SUMMARY OF SCHEDULE**

27 August

Set up pistol ranges 3 and 4
Set up other ranges as available
Pistol competitor's meeting

28 August

Pistol Matches Series "A"
Last One Standing Match

29 August

Pistol matches Series "B"
Falling Block match
Pistol matches prize presentations
Sniper/Precision competitor's meeting

30 August

Sniper/Precision Rifle range set up
Basic Zeroing (if time allows)
Sniper/Precision Matches 60, 61, 62

31 August

Sniper/Precision matches 63, 64, 65
Sniper/Precision matches 66, 67
Service Rifle competitor's meeting

1 September

Service Rifle matches 1, 2, 3, 4
Service Rifle matches 5, 6, 7, 8

2 September

Service Rifle matches 9, 10, 11, 12
Service Rifle matches 13, 14, 15, 16

3 September

Moving Targets Match 17
Falling Plates Match

4 September

Service Rifle Stage 2
Service Rifle Presentations

HIGGINSON POWDERS INC.

FORMERLY AMMOMART LTD.
FAMILY OWNED AND OPERATED SINCE 1898



HIGGINSON POWDERS INC.

Distributes
Hodgdon Powders nationally,
at the "LOWEST PRICES" in Canada.

Shipping is Pre-Paid on powder orders over
21 lbs. to most Loomis Points nationally.

Hodgdon Extreme Powders.....\$26.00/lb

Hodgdon Surplus Powders.....\$17.00/lb

Please call or fax for complete price listings.

We stock all Lee Precision tools, Bushnell
Optics, and most Hornady Bullets.

2708 Hwy. 34

Hawkesbury, Ontario K6A 2R2

Tel: (613) 632-9300

Fax: (613) 632-5666

Toll Free Fax Order Line: 1-888-308-4350

www.higginsonpowders.com

ADVENTURES TO THE FAR SIDE - PART 3

We ended Part two as we were driving our Mercedes up the east coast, heading back to Kota Bharu for the final small-bore training camp.

Upon our arrival in Kota Bharu we were directed to a nice hotel named The Perdana. This would be a nice change for me as in the two previous camps I was accommodated in the officers' mess of the local Police camp. We had a couple of days before the camp started so we used the time for Margaret to have a look around. Our room had a small fridge and that allowed us to buy some bits of food so Margaret could send me off to the range with a lunch, Canadian style, sort of. Another surprise was at the check-out in the grocery store, men and women could not use the same aisle. In the evening we ate out and enjoyed some pretty nice dishes, very reasonable priced. Usually around 30 ringets for the two of us and that is about \$10 Cdn. But the state of Kelantan is a more fundamentalist Muslim state so there is absolutely no beer, wine or spirits. But being true Canadians we did find a way to survive. Just a mile away was the border to Thailand so we made a few trips to bring back something to mix with our Tonic water. Those days were interesting. We would park the car and walk over to the Thai town. All very easy! Coming back was another matter. The entrance to the gate entering Malaysia was a long narrow space and was crowded with many shapes and sizes of people. I actually had to shove a person who was aggressive and pushing his way to the front. I was so surprised when I turned to find a large monk. I always thought they were gentle people.

With the help of a couple of my shooters who were local, we were able to transfer to a different location but run by the same hotel. We moved to the resort section at the Pantai Cinta Berahi or "The Beach of Passionate Love" so named sometime in the 1800's when the British were there. Later, in the 1960's, Malaya became a nation named Malaysia and, as it was predominately Muslim, the name of the beach was changed. While there, we had the luxury of living in a self-contained cottage with a veranda overlooking the beach, swimming pool, air conditioning, and solar heat for the water. (We had to remember to shower early to get the hottest water). It was really much more pleasant there than in the city. Almost paradise.

On the first day of the final camp we did a check of all the equipment and managed to borrow a few good scopes from the local club. The scopes from "Mickey Mouse" were retired. The boys knew that this was the last Smallbore camp and the last chance to qualify for the Fullbore part of the program so they were all very serious. I told them that the only way for them to qualify was by scoring the highest number of points, top ten to move on.

We had two days of practice before the serious part began. The competition lasted four days with each shooter firing two sixty shot matches a day. Top gun scores move on. The whole match ran like clockwork and was made easier for me by having Margaret do the stats. There were several 'important' people from the Malaysian Sports Council and other branches of sports. They were there to present awards and I think to assess the program. They seemed to be pleased.

There was a lot of emotion when the time came to say goodbye to the fellows who did not qualify. It was sad to have to reduce the numbers as there was a very small point difference between staying in the program and leaving.

After the camp, everyone went back to their units for a spell while Margaret and I traveled back to Kuala Lumpur and waited for the Sports Council to let us know where we would be moving next. It was May and they still had not found a suitable training venue for Fullbore

We had a very interesting trip south from our 'paradise' at Perdana Resort on the beach (Sandy uses the word 'interesting' to cover all sorts of feelings; here I've (Margaret) used it to mean unexpected surprises, some hair raising driving experiences and beautiful scenery). We had purchased an 'up to date road map' while in Kota Bharu and had chosen a central route down the peninsula, thinking that a leisurely drive through mountain, jungle and such would be nice. 'Sounds good?' Well, it started out fine – we made a slight detour off our main route to drive through Tanah Merah – a lovely clean town where we had lunch in an outdoor food stall. Tanah Merah means 'red soil' and for those of you who may have read Noel Barber's novel of the same name (different spelling), it brought back memories of that

**SPOTTING SCOPES
PRISM SCOPES
RANGEFINDERS
MONOCULARS
RIFLESCOPES
BINOCULARS
RED DOTS**

**PREMIUM optics
INCREDIBLE value
TOP TIER service
and VIP warranty**

1-866-343-0054

vortexcanada.net

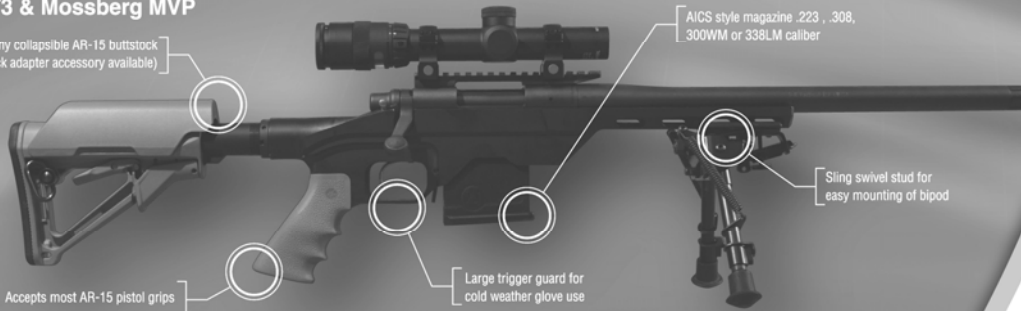
VORTEX
★ COMBAT READY ★
THE FORCE OF OPTICS™

MDT LSS

For Remington 700, Model 7, Savage, Tikka T3 & Mossberg MVP

The LSS chassis is engineered to minimize weight, warping and distortion while adding versatility and modularity. The rifle receiver only makes contact with the LSS chassis on the V shape bedding and recoil lug area ensuring the best accuracy and repeatability. The generous clearance on the fore-end makes OEM standard and bull barrel free floating.

Accepts any collapsible AR-15 buttstock
(Fixed stock adapter accessory available)



AICS style magazine .223, .308,
300WM or 338LM caliber

Sling swivel stud for
easy mounting of bipod

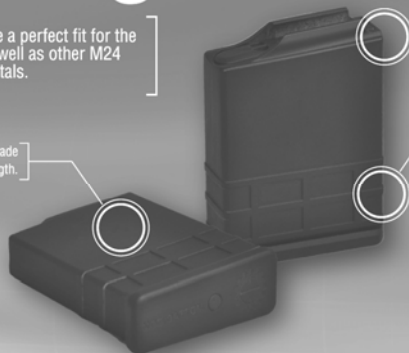
Accepts most AR-15 pistol grips

Large trigger guard for
cold weather glove use

MDT Magazines

MDT Polymer Magazines are a perfect fit for the TAC21 and LSS chassis, as well as other M24 type chassis and bottom metals.

Manufactured from high quality grade
Polymer for optimal strength.



Feed lips designed to fit most
actions and easy feeding.

Available in .223 and .308

**Find out
more about
this and our
complete line
of products at
www.mdttac.ca**



ADVENTURES TO THE FAR SIDE - PART 3

wonderful story. Noel Barber was a British War Correspondent during WW2 and spent a good deal of his time reporting from South East Asia. He has written several wonderful novels – fiction based on fact – Tana Mara took place primarily during the Japanese invasion of Singapore. Good reading.

Anyway, we enjoyed walking through this small town and watched the 'Jungle Railway' train passing through on its way to Singapore. After this little bit of exercise, we continued on our way south, heading straight down the highway that runs through the National Jungle Park. About 90 km later we came over a small hill, up ahead there appeared to be a house in the middle of the road! We slowed down and stopped in front of the house. Sandy looked around to see where the road went and it didn't. We were at the end of the road. A sign indicated that it was to be completed soon. We must have missed the sign that told us not to go there... 90 kilometres back. The end result was that we cruised into Ipoh in the dark and didn't



know how to get to a hotel. When we found one, the parking lot had a spiral drive that was perfect if you were on a motorcycle but here we were in a giant Mercedes. It was a struggle to make it to the top without marking the car. Fortunately we were in a city where one could get a drink.... And we did.

We left early the next morning for K.L. arriving at the zenith of the morning rush hour. What a huge miscalculation. Should have stayed in bed!

We were allowed to again send five to the National monthly UIT match at the range in Kuala Lumpur. All ten of our shooters attended which allowed us to check scores for all of our five as the shoot progressed. I also had my big scope. When the results were posted we were missing many points but for some strange reason I was not allowed to protest and have scores double checked. None the less we did have two shooters in the final and ended up with a fifth place and a Silver medal. So we took our silver and left.

As it happens, this was the beginning of a very frustrating time for Margaret and me. The strange attitude of the UIT people towards us, the Fullbore Group, started to make sense. To go back to my first week in January, one morning when I was talking to my boss at the Sports Council office he asked a very odd question. He asked what would happen if the Fullbore event was cancelled. My reply was that it could not be cancelled because it was a compulsory shooting event. He made a big smile and said no more. It turns out that I was wrong.

It was about a month later I received a telephone call from an official of the Malaysian Shooting Association asking me why I was here and who hired me. I didn't know his name. A month and a half after that, I received a call from someone else in the MSA and was invited to lunch. The conversation at lunch centered around the number of events in the shooting venue and the Fullbore TR discipline. Although the TR event was in the KL bid for the 98 Games, there was no one in Malaysia who actually knew what the event of TR Queens was. So I answered all their questions and thought that I had put them straight on the difference between 300m Fullbore and the TR Queens event. At the end of April they presented their program to the CGF Sports Committee and had substituted the 300m event for our TR event.

It was at this time that I started to ask Margaret and myself... "What the heck am I doing here".

Tune in for the next edition

Margaret and Sandy Peden

2015 PALMA VETERANS TEAM

2015 is a very big year in fullbore shooting. Three strong national teams are being sent to Camp Perry, Ohio, to take part in the World Long Range Championships. Reports on the Under 25 and Palma team may appear elsewhere in this journal. The Veterans team of 17 confirmed members (listed below) is led by Roger Mullin and Tony Betts with head coaches Dave Adams of British Columbia (who was captain of the 2013 Veterans team in Australia) and Alain Marion of Quebec (who needs no introduction). As you can see by the names on this team we have a powerful squad of over 60s. Let's face it, our over 60 demographic in Canadian fullbore TR shooting is probably our strongest one at the moment and the team is aiming at gold. Team selection was done by committee, from an initial list of over thirty keen competitors, including input from the leaders of the Palma team. Selection was especially difficult as virtually every member of the DCRA in the age group threw his or her name in the hat and as you can see from the waiting shooter list the talent pool was deep. Several members of the Vets team are appearing on the Palma team list as well, further indicating our strength. We hope to report a great result in the next Marksman; stay tuned.

Team Members:

Dave Adams	- British Columbia	Bob Best	- British Columbia
Tony Betts (Adjutant)	- Ontario	Serge Bissonnette	- Ontario
Don Coleman	- New Brunswick	Jacques Dugas	- Quebec
Jeff Jenkins	- Nova Scotia	Alain Marion	- Quebec
Deen Mohideen	- Ontario	Roger Mullin (Captain)	- Ontario
Scott Murray	- Ontario	Ken Nelson	- Alberta
Bob Pitcairn	- British Columbia	Paul Tremblay	- Quebec
Pat Vamplew	- Ontario	Ken Westling	- British Columbia
Mike Wong Shui	- Ontario		

Waiting Shooters:

Ed Bergsma	- British Columbia	Peter Dobell	- British Columbia
Frank Lalear	- Alberta		

Roger Mullin,

Captain, Canadian Veterans Team 2015



Paul Bawden

MARKSMANS ACCESSORIES

Agent for SCATT Training Systems

www.centerthegroup.com

2018 COMMONWEALTH GAMES TRIALS

The next Commonwealth Games will be held on the Gold Coast, Queensland, Australia, in April 2018. The shooting events will be at the Belmont Shooting Centre, Brisbane. At the time of writing, the dates for the Commonwealth Shooting Federation Championships (CSFC) have not yet been confirmed by the CSF, but it is likely that they will be in the same time frame in 2017. Hence, for the DCRA to have conducted its full-bore trials and selection in time for both events, the process must be concluded at the CFRC in August 2016.

The DCRA Executive Committee has approved the following recommendations of the International Teams Committee with respect to the process to select the two fullbore shooters to represent Canada in 2018.

- a. A two-year Selection Trial be held at the Canadian Championships starting in 2015.
- b. **In 2015**, all eligible Canadians will be regarded as being in the Selection Trial. The Selection Aggregate will be the Canadian Target Rifle Championship, less the 800m and 900m ranges of the Beckett, Alexander and Gibson.
- c. **In 2016**, the top 20 shooters from 2015 will be invited to take part in Part 2 of the Trial. Registration, along with a \$50 registration fee, will be required. Shooters in the top 20 who do not wish to participate will be replaced in order of the scores from 2015. The \$50 fee will go into the Overseas Teams Fund (OTF), which is dedicated to the support of our Commonwealth Games endeavours. All 20 shooters will be squadded as far as is possible in the same relays of the Canadian Championships, so that they will shoot shoulder-to-shoulder. Scores in the Canadian Target Rifle Championship will be added to the scores made in 2015. In addition, there will be an additional full day of shooting, firing Stages II (10 at 300-500-600) and III (15 at 800-900) of the CWG event, held on the Sunday following the conclusion of the Canadian Championships.
- d. After the shooting, with all scores to count, the top two shooters will be named as those selected for the CSFC and CWG. The third shooter will be named as the reserve.
- e. Drugs testing may be required by the SFC and/or CGC following the end of the Trial. Any fees will be paid from the OTF.
- f. A Manager/Coach will be selected in consultation with the shooters, and in accordance with CSF/SFC/CGC policy.
- g. It is intended that all three shooters, with the Manager/Coach, will attend the CSFC in 2017, and that the top two shooters with the M/C attend the CWG.
- h. Funding, as far as possible, for attendance at the CSFC will come from the Overseas Teams Fund.

Jim Thompson

Chairman, International Teams Committee

MARKSMAN DELAY

For a variety of reasons the Fall 2014 Marksman did not get published. Staff reductions, workload and missed deadlines all contributed to the decision not to publish. While that is regrettable, in this 21st Century, it is less damaging than it might have been. The internet, social media and electronic mail ensured that most readers had access to the 2014 match results and news of other events. Still the Canadian Marksman is the Association's official history, hence we'll make every effort to meet our publication schedules and deadlines.

Keith Bornn

PRA EVENTS CALENDAR

British Columbia Rifle Association

www.bcrifle.org

Date	Event	Location
29 March	Mission R&G ISSF Club Championship	Mission R&G Range
26 April	LMR Service Rifle Championship	General Vokes Range
	LMR ISSF Championship	Mission R&G Range
29 May	BC Service Pistol Championship	General Vokes Range
30-31 May	BC Service Rifle Championship	General Vokes Range
6-7 June	BC Sierra ISSF Championship	Mission R&G Range
19-21 June	BC Precision Rifle Championship	General Vokes Range
20-21 June	Art Bourne Memorial Match	Kamloops KTSA Range
4 July	LMR Regional Fullbore Championship	General Vokes Range
5 July	BCRA TR & F-Class Team Championship	General Vokes Range
9-12 July	BC TR & F-Class Championship	General Vokes Range
15 August	VR IS Service Rifle Championship	Nanaimo Range
16 August	VR IS Precision Rifle Championship	Nanaimo Range
5-6 September	Labour Day Match	General Vokes Range
19-20 Sept	Navy Match/Butchart/VR IS Fullbore	Nanaimo Range
	Bob Hobbs Memorial Match	Kamloops KTSA Range
3 October	VR IS Precision Rifle Fall Regional	Nanaimo Range
4 October	VR IS Service Rifle Fall Regional	Nanaimo Range
24-25 October	Frosty Farky	Kamloops KTSA Range

APRA/AFRA

Homestead Range
www.albertarifle.com

Date	Event	Contact Info
23-24 May	An Opening Shoot	
6 June	New Shooter Day	
7 June	Palma Match	
13-14 June	An Opening Shoot	
1-4 July	Western F-Class Regionals	Glen Taylor (glentaylor@shaw.ca)
11-12 July	Precision Repeating Rifle Matches	
18-19 July	Vintage Service Rifle Match	
28-30 August	Fullbore Provincial Championship	
13 September	ISU Match	
26 September	New Shooter Day	
3-4 October	Palma Match	

PRA EVENTS CALENDAR

Saskatchewan Provincial Rifle Association

*North Star Range (6 mi east of Nokomis)
www.saskrifle.ca*

Date	Event	Contact Info
2-3 May	Open House	
16-18 May	Victoria Day Matches	
6-7 June	SPRA Long Range Matches	
20-21 June	June Palma Matches	
17-19 July	Saskatchewan Provincial Championship	
22-23 August	Drillers Matches & Palma/Ultra Longs	
5-7 September	Prairie Provinces Championship	

Manitoba Provincial Rifle Association

www.manitobarifle.ca

The dates of the MPRA Championship are Sat Aug 1 to Mon Aug 3 2015. Details will be on the website www.manitobarifle.ca under "High Power". The Range Schedule will not be published until mid-March when the confirmed range dates are received.

Ontario Rifle Association

www.ontariorifleassociation.ca

The ORA is looking forward to another successful season for its members who participate in numerous disciplines, including; Target Rifle, F Class, Precision, Swiss Rifle, Vintage Rifle, Service Rifle and CQB. Through the support of the Base Commanders and Regional HQ's in each area, programs take place at CFB Borden, Kingston, Winaona, Cedar Springs and Connaught.

ANNOUNCEMENT – Mons Range at CFB Borden, the long range facility at which the ORA normally hosts the Provincial Championships, will be closed for construction from spring until mid-August. For that reason the ORA Provincials have been moved to Connaught ranges for 2015. The match dates are from August 7th – 9th, which finishes three days before the commencement of the DCRA Nationals program. For those who might not normally attend the ORA Provincials at CFB Borden this might be an opportunity to receive early practice at Connaught Ranges if you intend to compete at this year's CFRC or FCNC. The program is a full one offering up to four matches per day, including: Friday 300, 500, 800 metres and a Team Match at 900 metres, Saturday 300, 500, 600, 800 metres, Sunday 600, 900 metres, tie shoots and the Lt. Governor's Final again at 900 metres. There is a full complement of historic awards available in both the TR and F -Class disciplines. For further details please refer to the ORA website or contact the ORA Secretary at orafazal@bell.net.

National Capital Region Rifle Association

*Connaught Ranges
www.ncrra.ca*

Date	Event	Contact Info
16 - 18 May	68 th Annual Victoria Day Matches	sbissonnette@sympatico.ca
27 – 28 June	Long Range Rifle Match	sbissonnette@sympatico.ca

PRA EVENTS CALENDAR

Province of Quebec Rifle Association

BFC Valcartier
www.pqra.org

Date	Event	Contact
9 May	Introduction to Long Range Shooting Day	
30 May	UIT Match	
20 June	St-Jean Baptiste Match	
11-12 July	134 Provincial Match	
1 August	Léo D'Amour Match, 1 st Edition	
12-13 September	Invitation Valcartier	

Royal New Brunswick Rifle Association

www.mbra.ca

Date	Event	Range/Match Director
25 April	Season Opener	Batouche/Mike Lutes
2 May	All Comers Match	St. Antoine/Ron Surette
3 May	Military Rifle Match	Batouche /Brian Doherty
9 May	Fredericton Centennial Match	Batouche/Conrad Leroux
16 May	Saint Gabriel 600	Saint Gabriel/Paul Bastarache
23 May	Precision Rifle Match	Batouche/Paul McIlveen/Mike Leroy
24 May	Memorial/MacGillivray Match	Batouche/Don Coleman
30 May	RNBRA Smallbore Championships	TBD/Steven Stewart
30 May	Black Powder Cartridge Match	Batouche/Brian Doherty/Paul McIlveen
6 June	Military Rifle Match	Batouche/Mike Leroy
13 June	RCR Match	St. Antoine/Ron Surette
20 June	Black Powder Cartridge Match	Batouche/Brian Doherty
27 June	Coleman/Stapleford Match	Batouche/Conrad Leroux
4 July	The Gautreau 600	Saint Gabriel/J.C. Gautreau
12 July	Precision Rifle Match	Batouche/Brian Doherty/Paul McIlveen
18-19 July	RNBRA APM	Batouche/Gordon Holloway
25 July	Military Rifle Match	Batouche/Mike Leroy
22 August	Black Powder Cartridge Match	Batouche/Paul McIlveen
29 August	Any Rifle/Any Sight Match	Batouche/Adam MacDonald
12 September	St. Antoine Turkey Shoot	St. Antoine/Michelle Cormier
19 September	Sierra ISSF Bullet Match	St. Antoine/Daniel Chisholm

PRA EVENTS CALENDAR

Nova Scotia Rifle Association *www.nsrifle.org*

Date	Event	Range
2 May	Precision Rifle – Irving Match	Bull Meadow - A
9 May	Service Rifle – Rudland Match	Bull Meadow – A
	Service Rifle – Gunning Match	Bull Meadow - A
17 May	Target Rifle / F-Class – Kennedy Match	Bull Meadow - A
18 May	Target Rifle / F-Class – Victoria Day Match	Bull Meadow - A
23 May	Target Rifle / F-Class – Elliot Campbell Challenge	Bull Meadow – A
31 May	Precision Rifle – Anderson Match	Bull Meadow - A
6 June	Target Rifle / F-Class – Inter-Maritime Trials Match	Bull Meadow - A
20 June	Precision Rifle – Open Match	Bull Meadow - A
1 July	Sierra ISU Match (Service Rifle, Target Rifle, F-Class)	Bull Meadow – A
4 July	Target Rifle / F-Class – Canada Day Match	Bull Meadow - A
31 July/1-2 Aug	Target Rifle / F-Class – NSRA Annual Prize Meet	Bull Meadow - A
23 August	Precision Rifle – Twining Match	Bull Meadow - A
5-6 September	Target Rifle / F-Class – Atlantic Championships	Bull Meadow – A
7 September	Target Rifle / F-Class – Mini Palma Match	Bull Meadow – A
12 September	Target Rifle / F-Class – Long Range Match	Bull Meadow – A
13 September	Service Rifle – Ishapore / .303 Open Match	Bull Meadow – A
19 September	Target Rifle / F-Class – Irish Team Match	Bull Meadow - A
26 September	Precision Rifle – Provincial Championship	Bull Meadow - A
3 October	Target Rifle / F-Class – Purdy Match	Bull Meadow - A
10 October	Service Rifle – Provincial Championship	Bull Meadow – A
	Service Rifle –Canadian Rifle League Match	Bull Meadow

Prince Edward Island Rifle Association *www.peipra.ca*

Date	Event	Location
13 June	Inter-Maritime Match	Alexandra Range
14 June	British Team Match	Alexandra Range
27 June	Canada Day Shoot	Alexandra Range
18-19 July	RNBRA APM	Batouche Range, CFB Gagetown
25-26 July	PEI APM	Alexandra Range
31 July/1-2 August	NSRA APM	Beaverbrook Range, NS
9 August	PEIRA Service Rifle Matches	Alexandra Range
5-6 September	Atlantic Championship	Beaverbrook Range, NS

DCRA 150TH ANNIVERSARY STAMP

The DCRA will be celebrating its 150th Anniversary in 2018. In recognition of that Anniversary a letter has recently been sent to the Canada Post - Stamp Advisory Committee requesting that consideration be given to the production of a postage stamp in 2018 commemorating this significant anniversary and the sport of marksmanship shooting. The text of this letter is below. We encourage each of you from across the country to send letters to Canada Post Stamp Advisory Committee supporting this proposal. Similarly, if you could encourage others to do so, i.e. MPs, MLAs, key community leaders, etc., that would be appreciated. We believe it is important that the Stamp Advisory Committee understand that there is a large body of support in Canada for this sport and that therefore it deserves recognition.

February 2015

Chairperson
Stamp Advisory Committee, Canada Post
2701 Riverside Drive, Suite N1070
Ottawa, ON K1A 0B1

Dear Sir or Madame,

The Dominion of Canada Rifle Association, one of the oldest sports associations in Canada, will mark its 150th Anniversary in 2018, having been founded in 1868 and then incorporated by an Act of Parliament in 1900. With this Anniversary in mind the intent of this letter is to request that consideration be given to the production of a postage stamp commemorating this Anniversary and the sport of marksmanship shooting.

By way of background, the Dominion of Canada Rifle Association (DCRA) is the National Governing Body for fullbore target shooting in Canada. It is not like the National Rifle Association of the United States, which is also a weapons lobby group. The DCRA, as outlined in its' Mission Statement, promotes and supports the pursuit of excellence in military and civilian marksmanship as a positive and significant contribution to Canada, the sport of shooting, and to the safe handling of firearms. Indeed, competitive shooting is a fun and challenging sport which requires a high degree of concentration, personal discipline, and fitness. Further, it is not a sport which is reserved for or dominated by any particular group of society. Rather, it is one of the few sports whose membership covers the entire spectrum of age, gender, occupation, profession, trade, and even physical disability. The DCRA has members across Canada and is composed of 10 Provincial Rifle Associations, one Territorial Rifle Association, and a National Capital Region Rifle Association. Further background information related to the DCRA is enclosed on a Fact Sheet.

The first DCRA National prize meeting took place in La Prairie, just outside Montreal, in 1868 with more than 900 participants. Since then the DCRA has continued to hold prize meetings every year, except during the two World Wars. Further, the DCRA, has since its' formation, provided teams annually to participate in international competitions which have not only increased the profile of Canada but brought great repute to it. Most recently, members selected by the DCRA won two silver medals (individual and pairs shooting) at the 2014 Commonwealth Games in Scotland. All that to say, by 2018 the DCRA and competitive target shooting will have been an important part of our Canadian history and heritage for 150 years which should be appropriately recognized. A stamp in this Anniversary year would help highlight this contribution to Canada. Further, given that marksmanship shooting has not been a sport that Canadian stamps have profiled for many years it can only but enhance the high regard for the diversity of subject areas of Canadian stamps in Canadian and international philatelic circles.

Should you require further information we would be pleased to provide it. Feel free to contact our office as detailed above or our Project Officer for this initiative: Mr. Bill Molnar at 613-592-9361 or billmolnar@rogers.com.

Thank you for your consideration of this matter.

Yours sincerely,

A.J.G.D. de Chastelain CC, CMM, CD, CH

General (Retired)

DCRA Life Governor



British Columbia Rifle Association
 Mr. Peter Dobell, President
 39-46000 Thomas Road
 Chilliwack, BC V2R 5W6
 Phone: 604-858-3550
 Fax: 604-858-0263
 Email: pdobell@gmail.com
 Email: rpitcairn@bc rifle.org

www.bcrifle.org



Alberta Provincial Rifle Association
 Mr. Frank Llear, APRA Fullbore contact
 80 Maplecourt Cres. SE
 Calgary, AB T2J 1V7
 Email: f.llear@shaw.ca

www.albertarifle.com



Saskatchewan Provincial Rifle Association
 Mr. Keith Skjerdal, President
 Box 40
 Mazenod, SK S0H 2Y0
 Phone: 306-652-2065
 Fax: 306-528-4458
 Email: kodiak99317@gmail.com

www.saskrifle.ca



Manitoba Provincial Rifle Assoc
 Mr. John Chapman, President
 305 River Road
 Winnipeg, MB R2M 4A1
 Phone: 204-255-5095
 Email: jchapman@shaw.ca

www.manitobarifle.ca



Ontario Provincial Rifle Association
 Mr. Fazal Mohideen
 1916 Wildflower Drive
 Pickering, ON L1V 7A7
 Phone: 905-837-7824
 Email: orafazal@bell.net

www.ontariorifleassociation.ca



Province of Quebec Rifle Assoc
 Association de Tir de la
 Province de Quebec
 Mr. Robert Fortier, President
 973 Turcotte est
 Thetford Mines, PQ G6G 7E9
 Email: president.atppqra@gmail.com

www.pqra.org



Nova Scotia Rifle Association
 Mr. Andrew S. Webber, President
 P.O. Box 482
 Dartmouth, NS B2Y 3Y8
 Phone: 902-876-2935
 Email: nsrifle@ns.sympatico.ca

www.nsrifle.org



The Royal New Brunswick Rifle Assoc Inc.
 Mr. Mike Lutes, President
 13 Curtis Street
 Fredericton, NB E3A 8W3
 Phone: 506-363-5927
 Email: shooter55520@hotmail.com

www.rnbra.ca



Prince Edward Island Rifle Association
 Mr. Charles Bachmanek-President
 43 Lillian Lane
 York, PE C0A 1P0
 Phone: 902-672-1797
 Email: wo031@hotmail.com

www.peipra.ca



Newfoundland Provincial Rifle Assoc
 Mr. Geoff Woodman
 P.O. Box 40,
 New Harbour, NL A0B 2P0
 Phone: (709) 582-2994
 Email: nlrifle@gmail.com



National Capital Region Rifle Association
 21 Shirley Blvd
 Nepean, ON K2K 2W6
 LCol Wm. (Bill) Molnar (Ret'd), President
 Tel: 613-592-9361
 Email: billmolnar@rogers.com
 Alt: Serge Bissonnette 613-256-0251
 Email: sbissonnette@sympatico.ca

www.ncrra.ca

**PLEASE CHECK WITH THE APPROPRIATE
 PRA'S WEBSITE
 OR TELEPHONE FOR CONFIRMATION,
 DETAILS AND ENTRY FORMS**

PGW Defence Technologies Inc.,
the AFRA Present the

Western Canada F-Class Championship

Homestead Range, July 2-4, 2015

Match Director: Glen Taylor, 780 446-2239

Entry \$300

Juniors (19 and under) \$125

After May 15, 2015 \$350



July 01 - Weigh in and 800m Practice
July 02 thru July 04, 2015

Paid Target Markers except for Practice
(Squadded, 15 shots max per)

200 Rounds total for Individual and Team Matches

Performance awards and Brass Draw Prize Table

DCRA Sanctioned Event



The Dominion of Canada Rifle Association
45 Shirley Blvd.
Nepean, ON K2K 2W6
Canada

CANADA		POSTES
POST		CANADA
Postage paid		Port payé
Publications Mail		Poste-publications
40009311		

